

# PARTS MANUAL



## JCPT SERIES

0808HD/DC

1008HD/DC

1012HD/DC

1212HD/DC

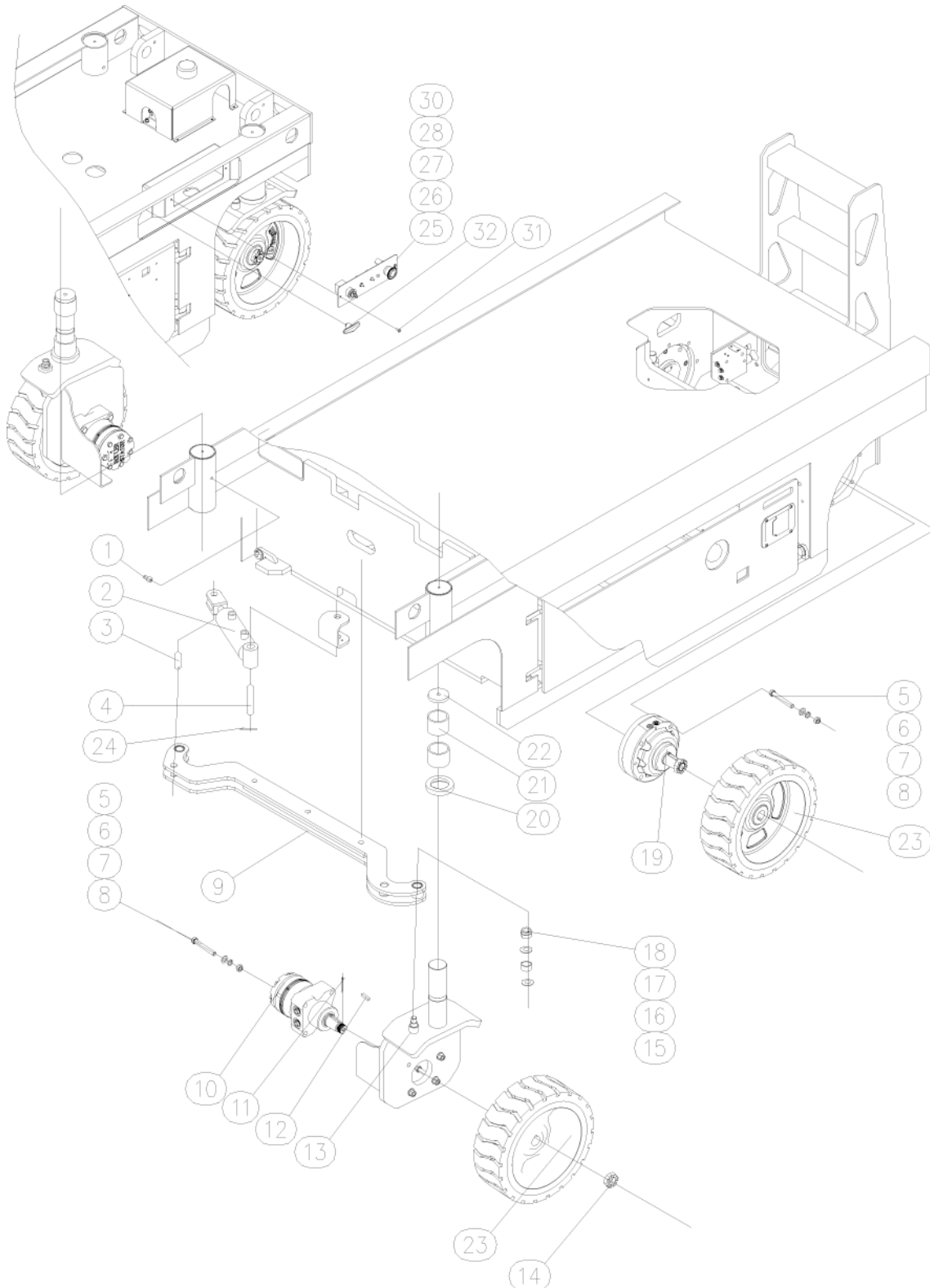
1412HD/DC

## CONTENTS

1.1 Steer Linkage and Wheels — Hydraulic Motor Drive.....	2
1.2 Steer Linkage and Wheels — DC Motor Drive .....	4
1.2.1 Rear Wheel — DC Motor Drive .....	6
2.1 Ladder and Angle Sensor Installation — JCPTXX08HD, JCPTXX08DC.....	8
2.2 Ladder and Angle Sensor Installation — JCPTXX12HD, JCPTXX12DC.....	10
3.1 Pothole Protection Assembly — JCPTXX08HD, JCPTXX08DC.....	12
3.2 Pothole Protection Assembly —JCPTXX12HD, JCPTXX12DC.....	14
4 Battery Pack Module.....	16
5.1 Power Unit Module — Hydraulic Motor Drive (Horizontal Valve Manifolds) .....	18
5.2 Power Unit Module — Hydraulic Motor Drive (Vertical Valve Manifolds).....	21
5.3 Power Unit Module — DC Motor Drive .....	24
6.1 Scissor Assembly — JCPT0808HD, JCPT0808DC .....	26
6.2 Scissor Assembly — JCPT1008HD, JCPT1008DC .....	28
6.3 Scissor Assembly — JCPT1012HD, JCPT1012DC .....	30
6.4 Scissor Assembly — JCPT1212HD, JCPT1212DC .....	32
6.5 Scissor Assembly — JCPT1412HD, JCPT1412DC .....	34
7.1 Platform Components — JCPTXX08HD, JCPTXX08DC .....	36
7.2 Platform Components — JCPTXX12HD, JCPTXX12DC .....	39
8.1 Hydraulic Cylinder.....	42

### 1.1 Steer Linkage and Wheels — Hydraulic Motor Drive

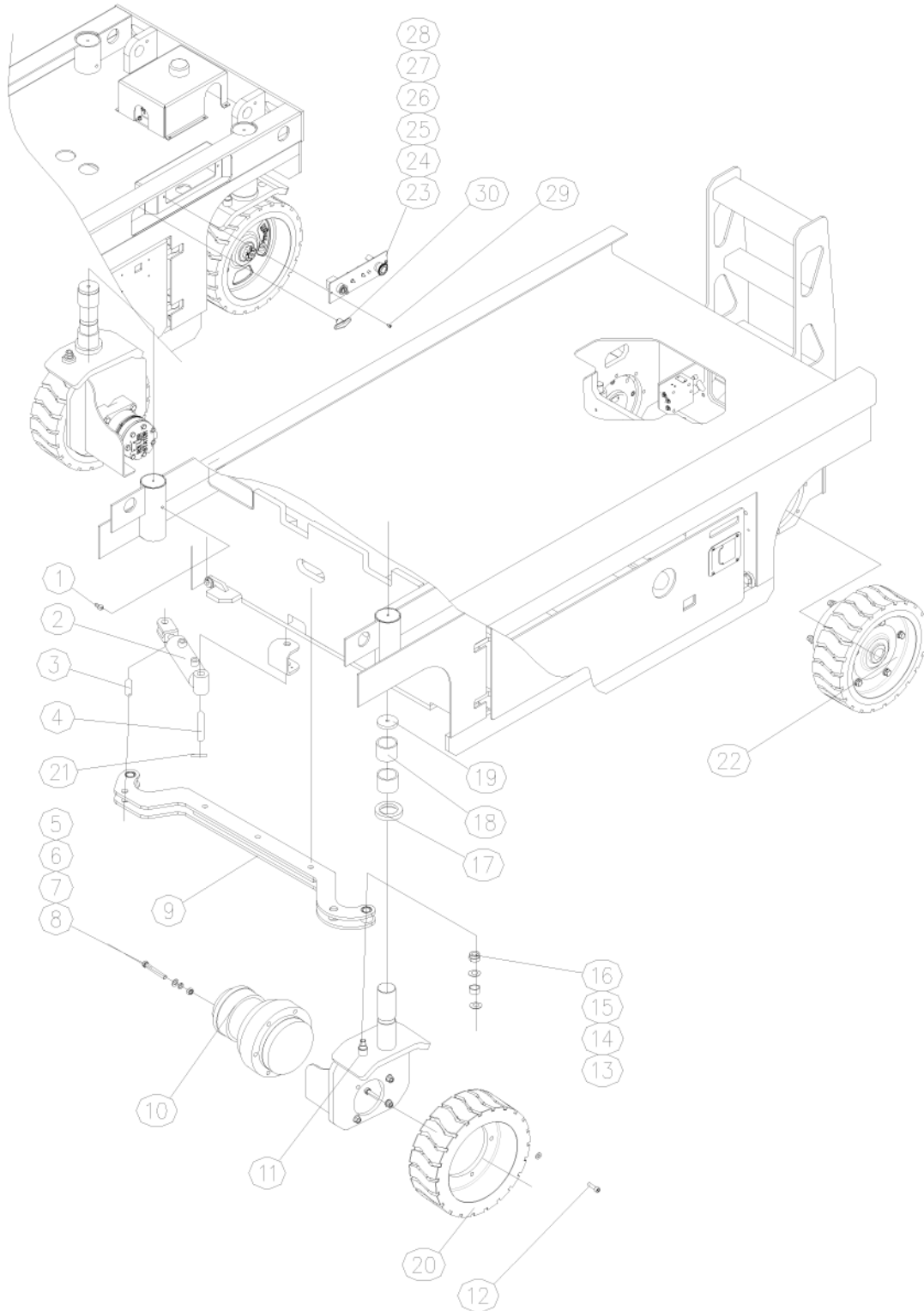
JCPT0808HD, JCPT1008HD, JCPT1012HD, JCPT1212HD, JCPT1412HD



No.	Parts No.	Description	Qty.	Remark
1	JCPT1212HD-14008	Screw	2	
2	JCPT1212HD-55300B	Steer Cylinder	1	
3	JCPT1212HD-14005	Axle	1	
4	JCPT1212HD-14006B	Axle	1	
5	GB5783-2000	Bolt M12x30	8	
6	GB93-2000	Washer D12	8	
7	GB6170-2000	Nut M12	8	
8	GB97.1-2000	Washer D12	8	
9	JCPT1212HD-14200B	Steer linkage	1	
	JCPT0808HD-14200B	Steer linkage	1	
10	530300T3531AAADL	Drive Motor	2	
11	GBT91-2000	Pin 4.6x30	4	
12	GBT-1096T2003	Flat key 8x32	4	
13	JCPT1212HD-14100B	Steer Yoke	2	
14	GB6178-2000	Nut M28	4	
15	SF-1-2023-10	Bearing	2	
16	EPBW-2848-015	CSB-EPB	2	
17	GB95-85	Washer 14	2	
18	GB889.1-2000	Locknut M14	2	
19	913000K3031AAAAA	Brake	2	
20	JCPT1212HD-14002	Washer 1	2	
21	556550GM	Bearing	4	
22	JCPT1212HD-14001	Spacer	2	
23	JCPT1212HD-14100B	Wheel	4	
24	GB894.1-2000	Circlip 20	2	
25	JCPT1212HD-13401	Panel	1	
26	XB2-BS542C	Emergency Stop	1	
27	DC24V $\phi$ 8mm(XD)	Power indicator	1	
28	WST-101 7A	Reset switch	1	
29	3547/00.3G002	Up/Down switch	1	
30	KS888	Key switch	1	
31	GB 818-2000	Screw M5x10	2	
32	5X70	Lowering knob	1	

### 1.2 Steer Linkage and Wheels — DC Motor Drive

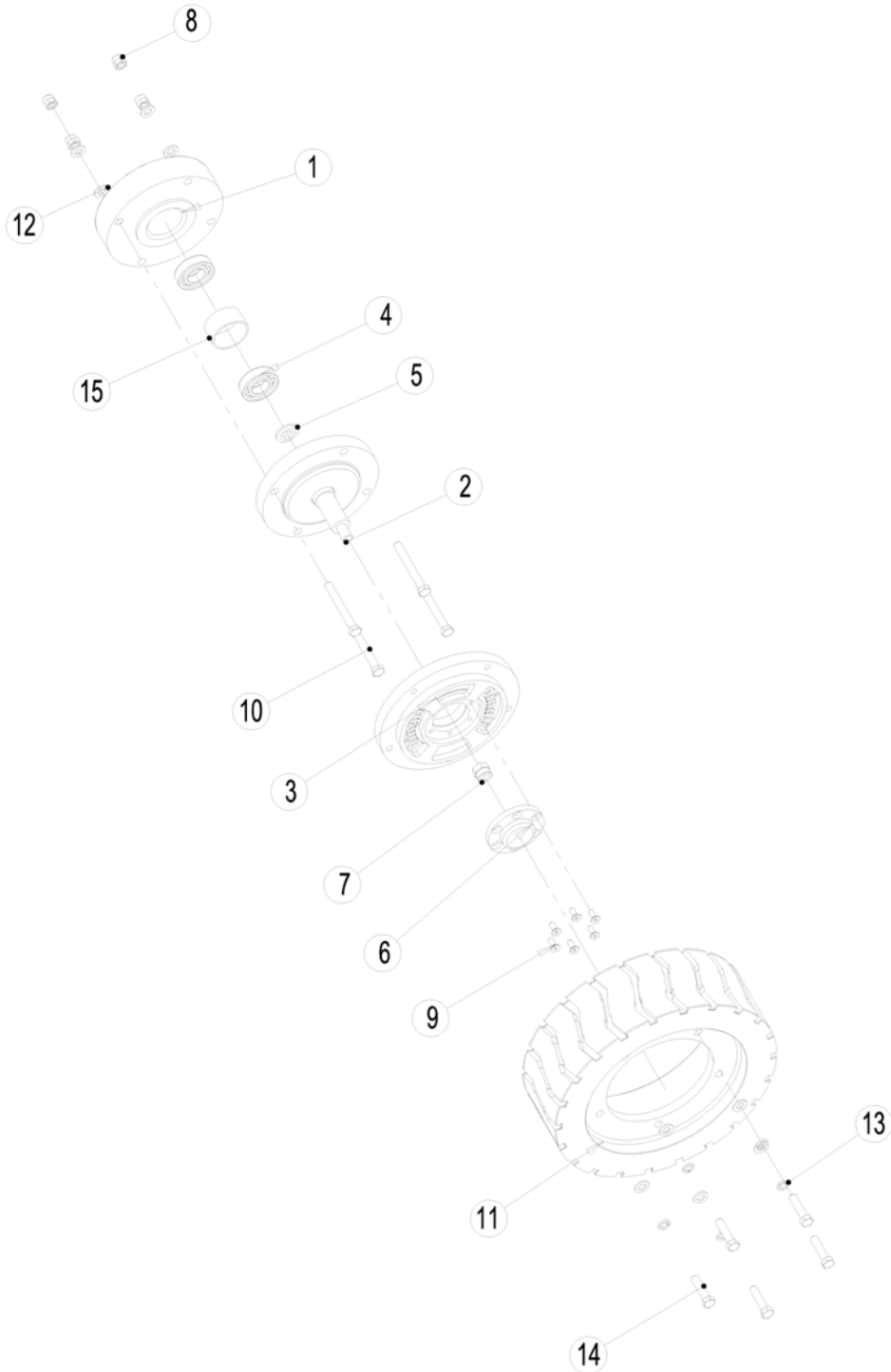
JCPT0808DC, JCPT1008DC, JCPT1012DC, JCPT1212DC



No.	Parts No.	Description	Qty.	Remark
1	JCPT1212HD-14008	Screw	2	
2	JCPT1212HD-55300B	Steer Cylinder	1	
3	JCPT1212HD-14005	Axle	1	
4	JCPT1212HD-14006B	Axle	1	
5	GB5783-2000	Bolt M12x30	4	
6	GB93-2000	Washer D12	4	
7	GB6170-2000	Nut M12	4	
8	GB97.1-2000	Washer D12	4	
9	JCPT1212HD-14200B	Steer linkage	1	
	JCPT0808HD-14200B	Steer linkage	1	
10	E035C3A2AHWAP45	Drive DC Motor	2	
11	JCPT1212DC-14110	Steer Yoke	2	
12	HX-SHCS	Bolt 3/8-16UNCx35	6	
13	SF-1-2023-10	Bearing	2	
14	EPBW-2848-015	CSB-EPB	2	
15	GB95-85	Washer 14	2	
16	GB889.1-2000	Locknut M14	2	
17	JCPT1212HD-14002	Washer 1	2	
18	556550GM	Bearing	4	
19	JCPT1212HD-14001	Spacer	2	
20	JCPT1212HD-14100B	Wheel	2	
21	GB894.1-2000	Circlip 20	2	
22	JCPT1212DC-10100	Rear Wheel	2	
23	JCPT1212HD-13401	Panel	1	
24	XB2-BS542C	Emergency Stop	1	
25	DC24V $\phi$ 8mm(XD)	Power indicator	1	
26	WST-101 7A	Reset switch	1	
27	3547-00.3G002	Up/Down switch	1	
28	KS888	Key switch	1	
29	GB 818-2000	Screw M5x10	2	
30	5X70	Lowering knob	1	

### 1.2.1 Rear Wheel — DC Motor Drive

JCPT0808DC, JCPT1008DC, JCPT1012DC, JCPT1212DC JCPT1412DC

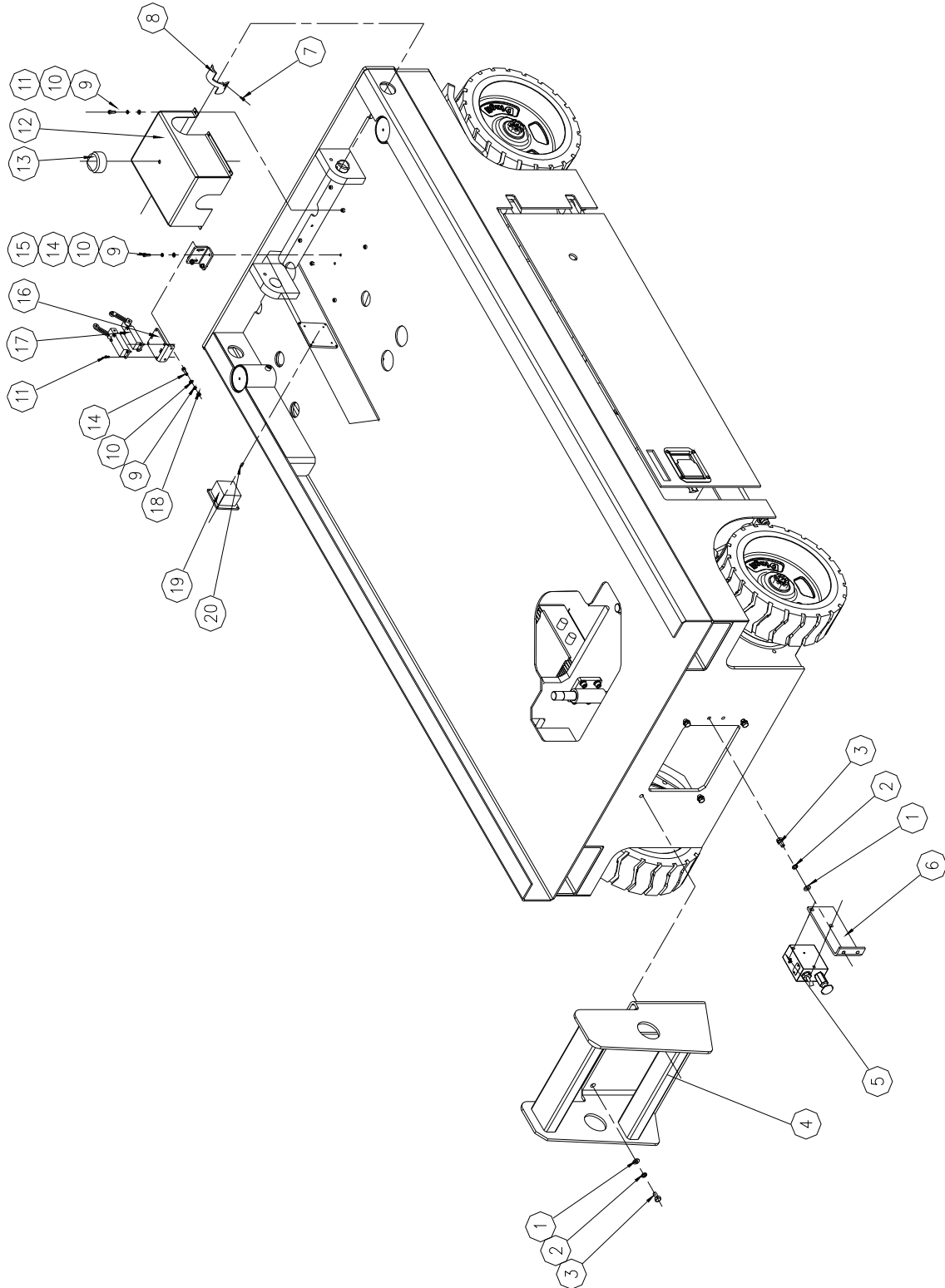


NO.	Parts NO.	Description	QTY.	Remark
1	JCPT1212DC-10106	Cushion	1	
2	JCPT1212DC-10120	Wheel Axle Seat	1	
3	JCPT1212DC-10104	Bearing seat	1	
4	GB/T 276-1994	Bearing 6206	2	
5	JCPT1212DC-10101	Washer	1	
6	JCPT1212DC-10103	End cover	1	
7	GB/T 6182-2000	Nut M16	1	
8	GB/T 6182-2000	Nut M12	4	
9	GB/T 70.3-2000	Screw M8x20	6	
10	GB/T 5780-2000	Bolt M12x100	4	
11	JCPT1212DC-10102	Wheel	1	
12	GB/T 97.1-2002	Washer 12	9	
13	GB/T 93-1987	Washer 12	5	
14	GB/T 5782-2000	Bolt M12x50	5	
15	JCPT1212DC-10105	Sleeve	1	



## 2.1 Ladder and Angle Sensor Installation — JCPTXX08HD, JCPTXX08DC

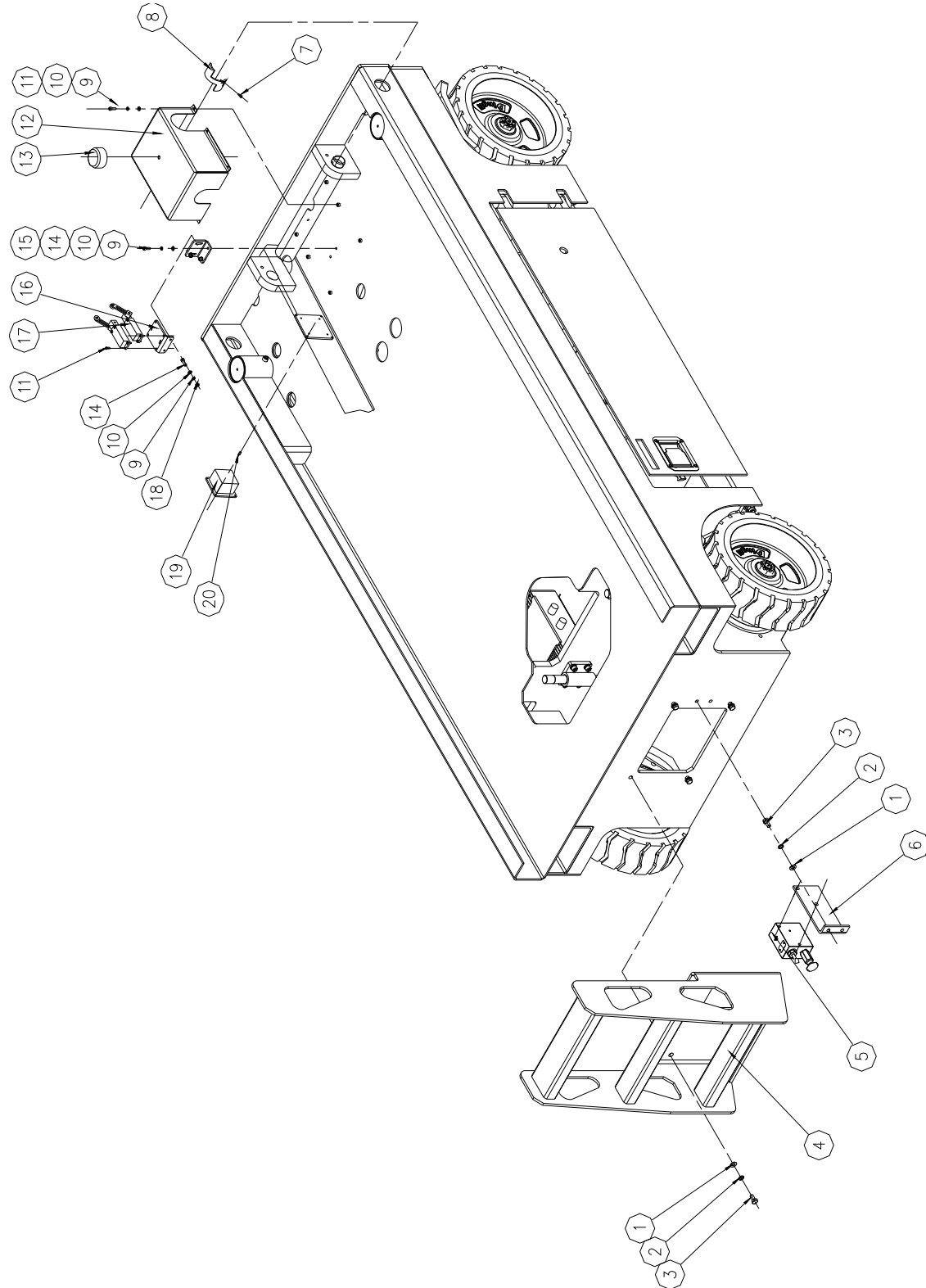
JCPT0808HD, JCPT1008HD, JCPT0808DC, JCPT1008DC



NO.	Parts NO.	Description	QTY.	Remark
1	GB97.1-2000	Washer D10	4	
2	GB93.1-2000	Washer D10	4	
3	GB5782-2000	Bolt M10x20	4	
4	JCPT0808HD-16000	Ladder	1	JCPT0808HD/DC
	JCPT1212HD-16000	Ladder	1	JCPT1008HD/DC
5	960020A10AAAA	Brake Release pump	1	
6	JCPT1212HD-10004	Pump seat	1	
7	GB70.1-2000	Screw M4x10	1	
8	JCPT1212HD-310039	Plate	1	
9	GB97.1-2000	Washer D6	3	
10	GB93.1-2000	Washer D6	3	
11	GB70.1-2000	Screw M6x10	2	
12	JCPT1212HD-10003	Shield	1	
13	LTE-5061 DC24V	Light	1	
14	GB70.1-2000	Screw M6x20	4	
15	JCPT1212HD-310042	Seat	1	
16	JCPT1212HD-310041	Seat	1	
17	TZ8108	Limited Switch	2	
18	GB9170-2000	Nut M6	2	
19	604419	Angle sensor	1	
20	GB70.1-2000	Screw M4x10	4	

## 2.2 Ladder and Angle Sensor Installation — JCPTXX12HD, JCPTXX12DC

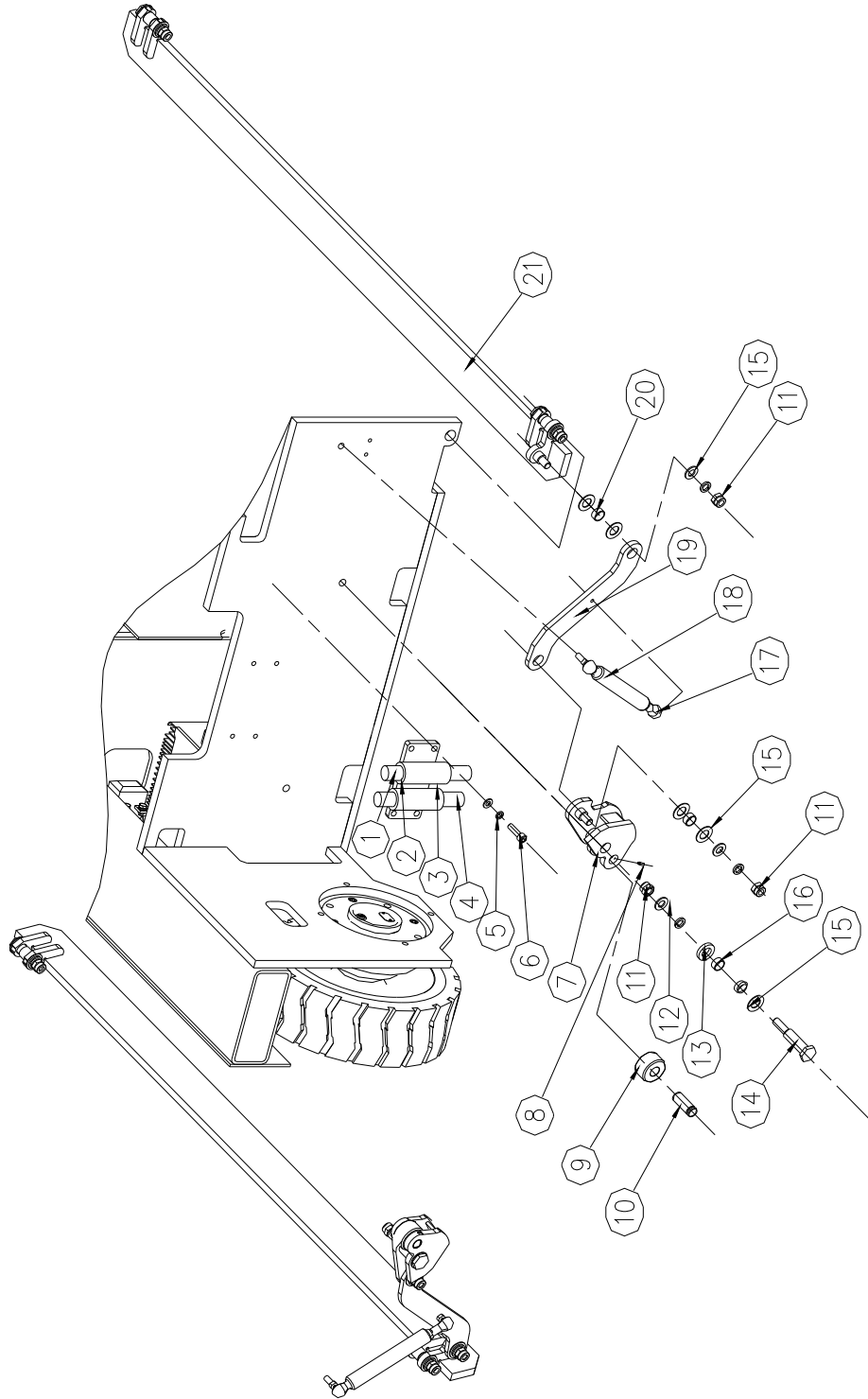
JCPT1012HD, JCPT1212HD, JCPT1412HD, JCPT1012DC, JCPT1212DC, JCPT1412DC



NO.	Parts NO.	Description	QTY.	Remark
1	GB97.1-2000	Washer D10	4	
2	GB93.1-2000	Washer D10	4	
3	GB5782-2000	Bolt M10x20	4	
4	JCPT1212HD-16000	Ladder	1	
5	960020A10AAAA	Brake Release Pump	1	
6	JCPT1212HD-10004	Pump seat	1	
7	GB70.1-2000	Screw M4x10	1	
8	JCPT1212HD-310039	Plate	1	
9	GB97.1-2000	Washer D6	3	
10	GB93.1-2000	Washer D6	3	
11	GB70.1-2000	Screw M6x10	2	
12	JCPT1212HD-10003	Shield	1	
13	LTE-5061 DC24V	Light	1	
14	GB70.1-2000	Screw M6x20	4	
15	JCPT1212HD-310042	Seat	1	
16	JCPT1212HD-310041	Seat	1	
17	TZ8108	Limited Switch	2	
18	GB9170-2000	Nut M6	2	
19	604419	Angle sensor	1	
20	GB70.1-2000	Screw M4x10	4	

### 3.1 Pothole Protection Assembly — JCPTXX08HD, JCPTXX08DC

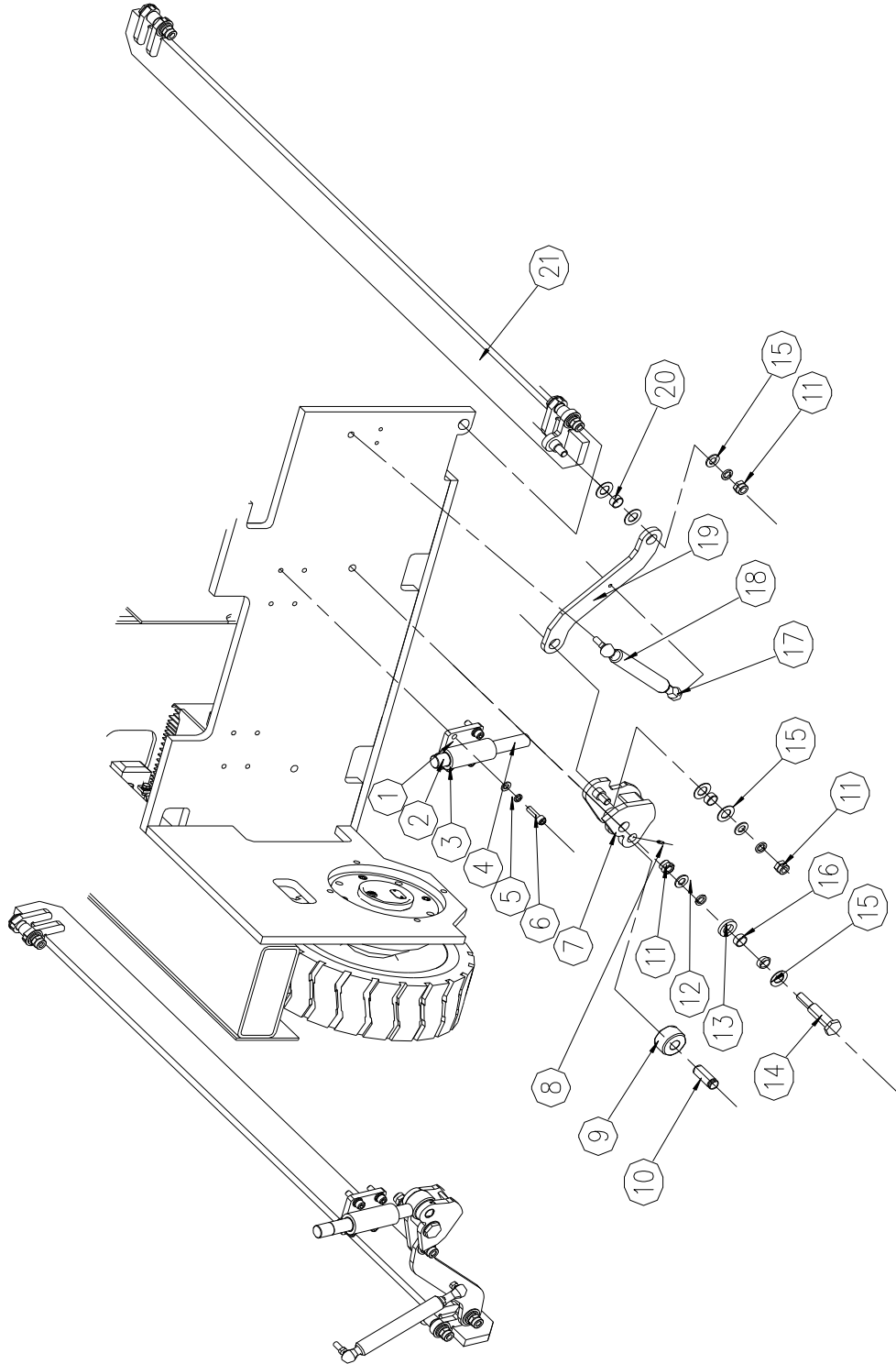
JCPT0808HD, JCPT1008HD, JCPT0808DC, JCPT1008DC



NO.	Parts NO.	Description	QTY.	Remark
1	JCPT0808HD-15050	Pot hole guide	1	
2	JCPT1212HD-15003	Pot hole Pusher	2	
3	SF-1-3236-20	Bearing 3236-20	4	
4	JCPT1212HD-15004	Shaft	2	
5	GB93.1-2000	Washer 10	8	
6	GB70.1-2000	Screw M10X35	8	
7	JCPT1212HD-15040	Crank	2	
8	GB/T79-2000	Screw M5x10	2	
9	JCPT1212HD-15005	Wheel	2	
10	JCPT1212HD-15006	Pin	2	
11	GB/T6182-2000	Nut M14	8	
12	GB/T95-2000	Washer 14	8	
13	JCPT1212HD-15007	Washer	2	
14	JCPT1212HD-15008	Pin	2	
15	WC20SF	Spacer 2036-015	18	
16	SF-1-2023-09	Bearing 2023-09	10	
17	ZDYC1535-6001	Gas spring	2	
18	JCPT1212HD-15001	Gas spring pin	2	
19	JCPT0808HD-15002	Linker	2	
20	SF-1-2023-20	Bearing 2023-20	4	
21	JCPT1212HD-15030	Pot hole guard	2	

### 3.2 Pothole Protection Assembly — JCPTXX12HD, JCPTXX12DC

JCPT1012HD, JCPT1212HD, JCPT1412HD, JCPT1012DC, JCPT1212DC, JCPT1412DC

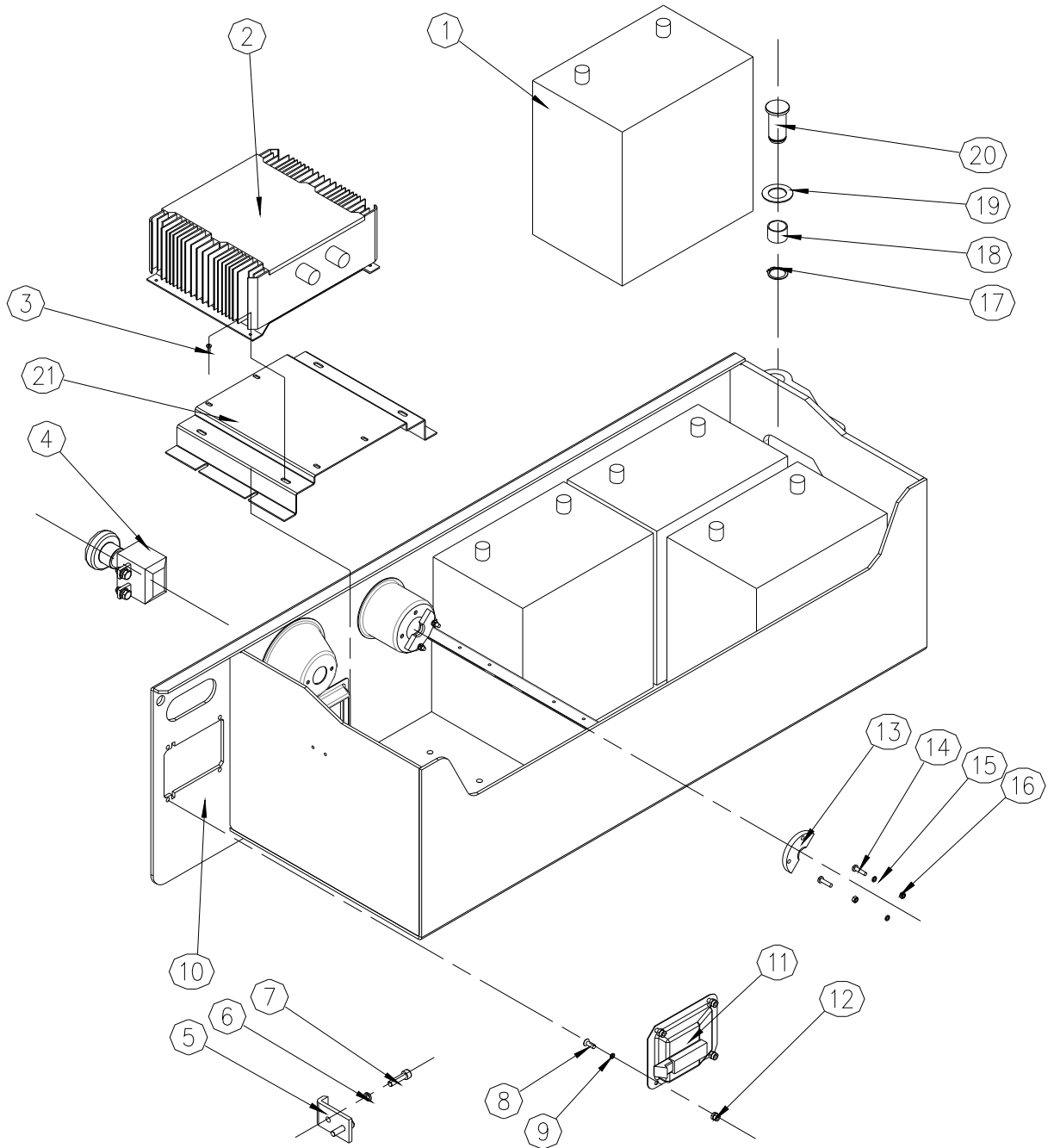


NO.	Parts NO.	Description	QTY.	Remark
1	JCPT1212HD-15050	Pot hole guide	2	
2	JCPT1212HD-15003	Pot hole Pusher	2	
3	SF-1-3236-20	Bearing 3236-20	4	
4	JCPT1212HD-15004	Shaft	2	
5	GB93.1-2000	Washer 10	8	
6	GB70.1-2000	Screw M10X35	8	
7	JCPT1212HD-15040	Crank	2	
8	GB/T79-2000	Screw M5x10	2	
9	JCPT1212HD-15005	Wheel	2	
10	JCPT1212HD-15006	Pin	2	
11	GB/T6182-2000	Nut M14	8	
12	GB/T95-2000	Washer 14	8	
13	JCPT1212HD-15007	Washer	2	
14	JCPT1212HD-15008	Pin	2	
15	WC20SF	Spacer 2036-015	18	
16	SF-1-2023-09	Bearing 2023-09	10	
17	ZDYC1535-6001	Gas spring	2	
18	JCPT1212HD-15001	Gas spring pin	2	
19	JCPT1212HD-15002	Linker	2	
20	SF-1-2023-30	Bearing 2023-20	4	
21	JCPT1212HD-15030	Pot hole guard	2	



### 4 Battery Pack Module

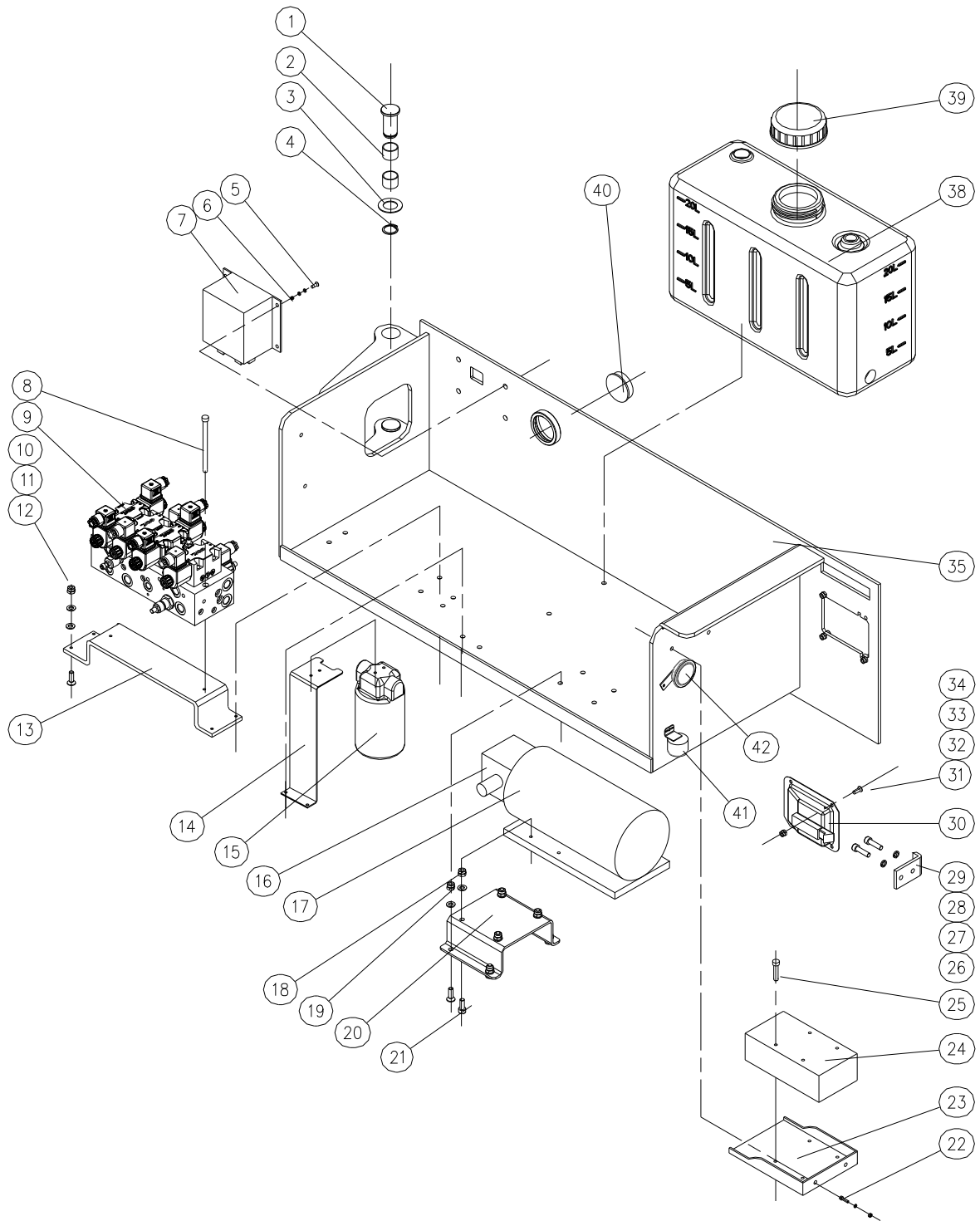
All Models



NO.	Parts NO.	Description	QTY.	Remark
1	Trojan	Battery	4	
2	Inchwp-2430	Charger	1	
3	GB818-2000	Screw M4x10	4	
4	ZDK31-250	Power switch	1	
5	JCPT1212HD-12002	Lock seat	1	
6	GB/T93.1-2000	Washer 8	2	
7	GB/T70.1-2000	Screw M8X30	2	
8	GB/T818-2000	Screw M6X20	4	
9	GB/T93.1-2000	Washer 6	4	
10	JCPT1212HD-12100	Battery box	1	
11	JCPT0630-12012	Lock	1	
12	GB/T6170-2000	Nut M6	4	
13	JCPT1212HD-12003	Plat	2	
14	GB/T818-2000	Screw M5x20	4	
15	GB/T93.1-2000	Washer 5	4	
16	GB/T6170-2000	Nut M5	4	
17	GB/T894.1-2000	Circlip25	2	
18	SF-1-2528-20	Bearing 2528-20	4	
19	WC-26SF	Spacer 2644-015	2	
20	JCPT1212HD-12001	Gate shaft	2	
21	JCPT0807-116001	Seat	1	

### 5.1 Power Unit Module — Hydraulic Motor Drive (Horizontal Valve Manifolds)

JCPT0808HD, JCPT1008HD, JCPT1012HD, JCPT1212HD, JCPT1412HD

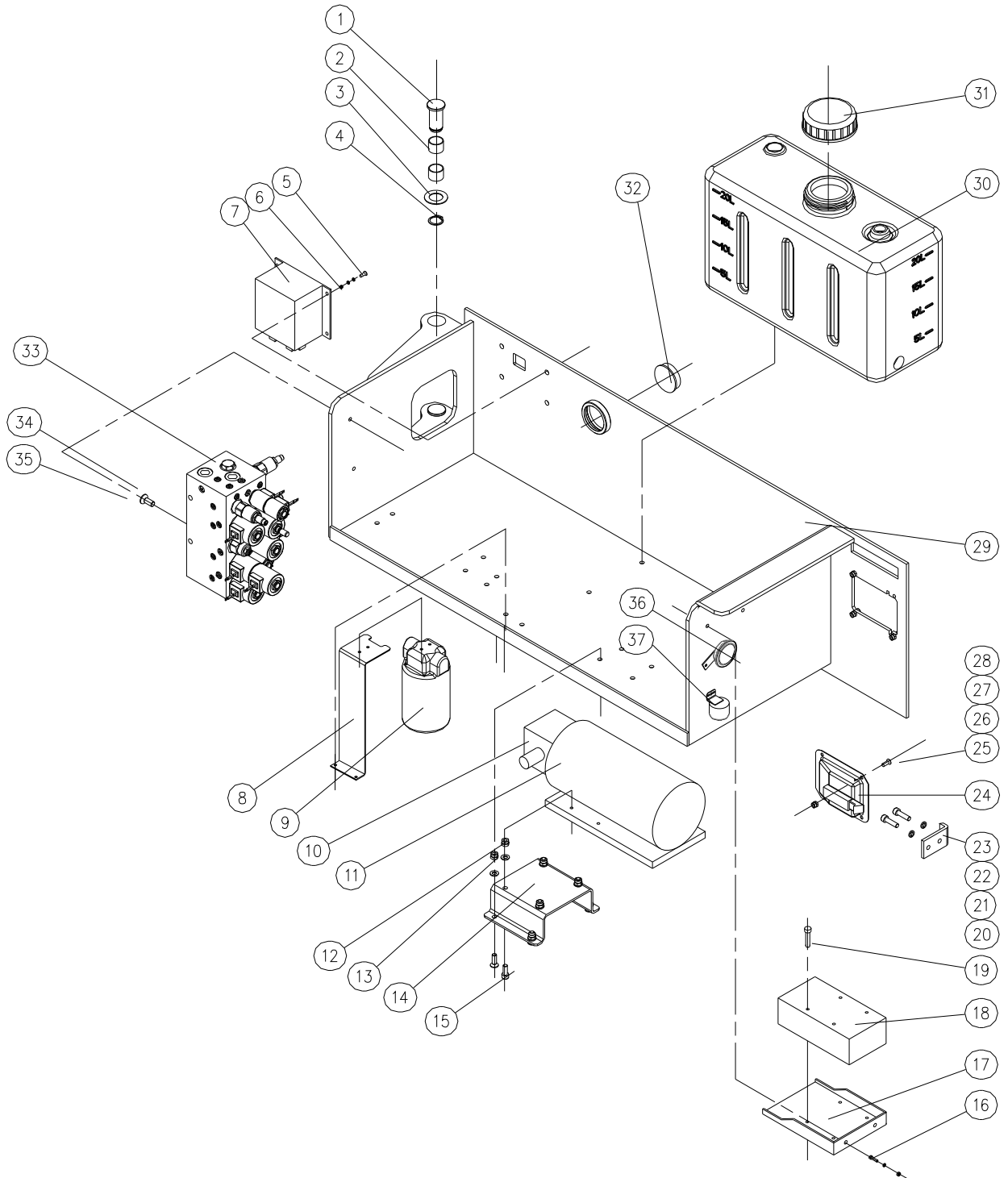


NO.	Parts NO.	Description	QTY.	Remark
1	JCPT1212HD-12001	Gate shaft	2	
2	SF-1-2528-20	Bearing 2528-20	4	
3	WC26SF	Spacer 2644-015	2	
4	GB/T894.1-2000	Circlip25	2	
5	GB/T818-2000	Screw M5*6	5	
6	GB6170-2000	Nut M5	4	
7	ECU	Control module	1	
8	GB70-85	Screw M6*50	2	
9	JCPT1212HD-17220	Valve	1	
10	GB6182-2000	Bolt M8*25	4	
11	GB93-87	Washer 8	4	
12	GB6170-2000	Nut M8	6	
13	JCPT1212HD-17230	Valve seat	1	
14	JCPT1212HD-13003	Oil Filter seat	1	
15	SP-06*10	Oil Filter	1	
16	SP-06*10	Oil pump	1	
17	OT200P14D/R21S2	Electric motor	1	
18	WT-2430/100A	Nut M8	8	
19	GB/T6170-2000	Bolt M6*16	4	
20	GB5783-2000	Electric motor seat	1	
21	JCPT1212HD-13004	Bolt M8*25	6	
22	GB70.1-2000	Bolt M8*25	6	
23	GB5783-2000	Motor control seat	1	
24	JCPT1212HD-13020	Motor control	1	
25	1204-038	Bolt M6*16	4	
26	GB/T93.1-2000	Washer 8	14	
27	GB97.1-2000	Washer 8	20	
28	GB/T70.1-2000	Screw M8X30	2	
29	JCPT1212HD-12002	Lock seat	1	
30	JCPT0630-12012	Lock	1	
31	GB/T818-2000	Screw M6X20	6	
32	GB/T93.1-2000	Washer 6	10	

NO.	Parts NO.	Description	QTY.	Remark
33	GB/T97.1-2000	Washer 6	10	
34	GB/T6170-2000	Nut M6	4	
35	JCPT1212HD-13100	Oil pump box	1	
38	JCPT1212HD-13300	Oil tank	1	
39	JCPT1212HD-13301	Cover	1	
40	SH-768/DC -4V	Hour meter	1	
41	DJB-24C	Buzzer	1	
42	DL125G 24V	Horn	1	

## 5.2 Power Unit Module — Hydraulic Motor Drive (Vertical Valve Manifolds)

JCPT0808HD, JCPT1008HD, JCPT1012HD, JCPT1212HD, JCPT1412HD



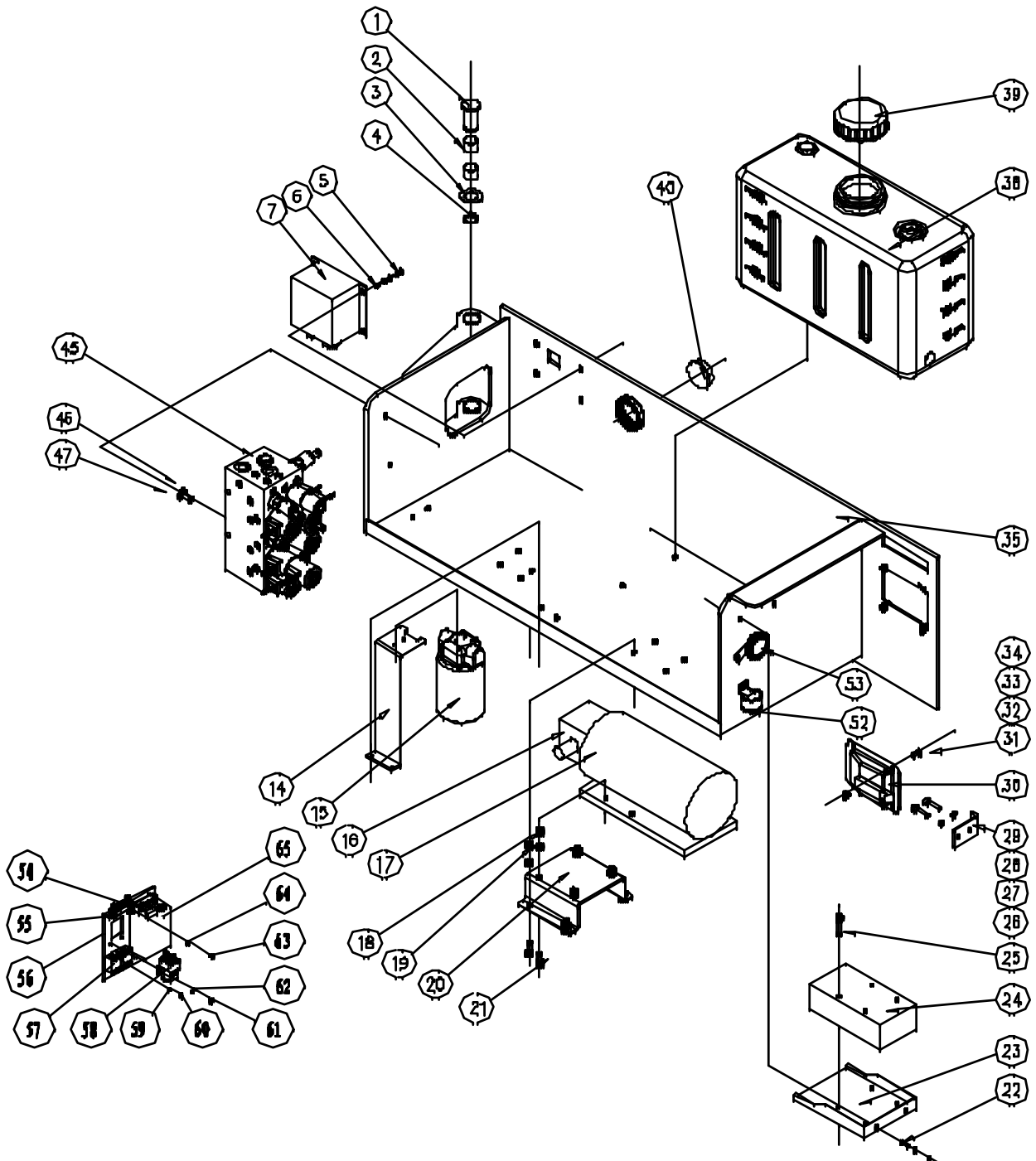
NO.	Parts NO.	Description	QTY.	Remark
1	JCPT1212HD-12001	Gate shaft	2	
2	SF-1-2528-20	Bearing 2528-20	4	
3	WC26SF	Spacer 2644-015	2	
4	GB/T894.1-2000	Circlip 25	2	
5	GB/T818-2000	Screw M5*6	5	
6	GB6170-2000	Nut M5	4	
7	ECU	Control module	1	
8	JCPT1212HD-13003	Oil Filter seat	1	
9	SP-06*10	Oil Filter	1	
10	OT200P14D/R21S2	Oil pump	1	
11	WT-2430/100A	Electric motor	1	
12	GB/T6170-2000	Nut M8	12	
13	GB5783-2000	Bolt M6*16	4	
14	JCPT1212HD-13004	Motor seat	1	
15	GB70.1-2000	Bolt M8*25	6	
16	GB5783-2000	Bolt M8*25	10	
17	JCPT1212HD-13020	Seat	1	
18	1204-038	Electric motor control	1	
19	GB5783-2000	Bolt M6*16	4	
20	GB/T93.1-2000	Washer 8	14	
21	GB97.1-2000	Washer 8	38	
22	GB/T70.1-2000	Screw M8x30	2	
23	JCPT1212HD-12002	Lock seat	1	
24	JCPT0630-12012	Lock	1	
25	GB/T818-2000	Screw M6X20	6	
26	GB/T93.1-2000	Washer 6	10	
27	GB/T97.1-2000	Washer 6	10	
28	GB/T6170-2000	Nut M6	4	
29	JCPT1212HD-13100	Oil pump box	1	
30	JCPT1212HD-13300	Oil tank	1	
31	JCPT1212HD-13301	Cover	1	
32	SH-768/DC-24V	Hour meter	1	

NO.	Parts NO.	Description	QTY.	Remark
33	JCPT1212HD-13220	Valve	1	
34	GB93-87	Washer 10	2	
35	GB5783-2000	Bolt M10*25	2	
36	DL125G 24V	Horn	1	
37	DJB-24V	Buzzer	1	



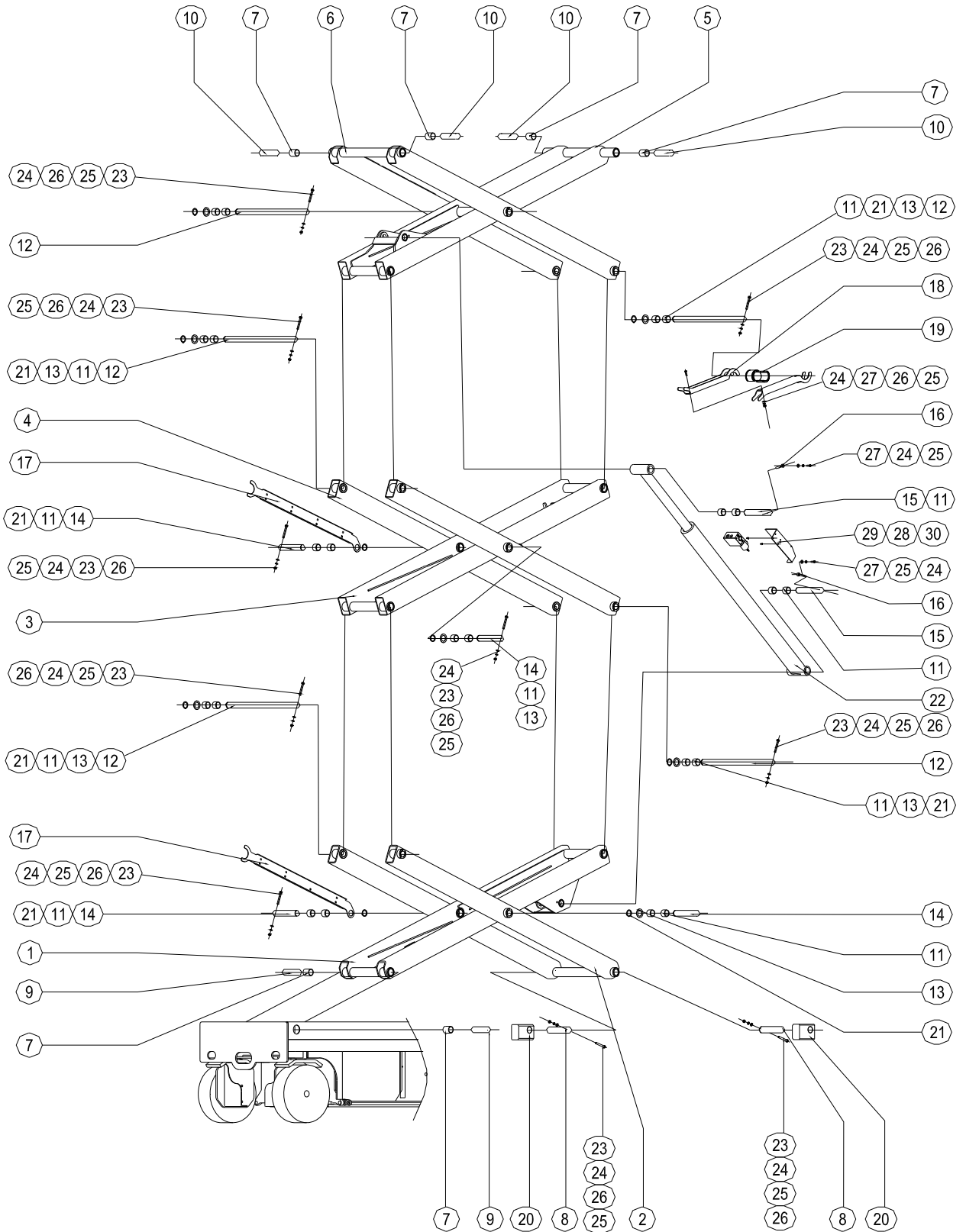
### 5.3 Power Unit Module — DC Motor Drive

JCPT0808DC, JCPT1008DC JCPT1012DC, JCPT1212DC, JCPT1412DC



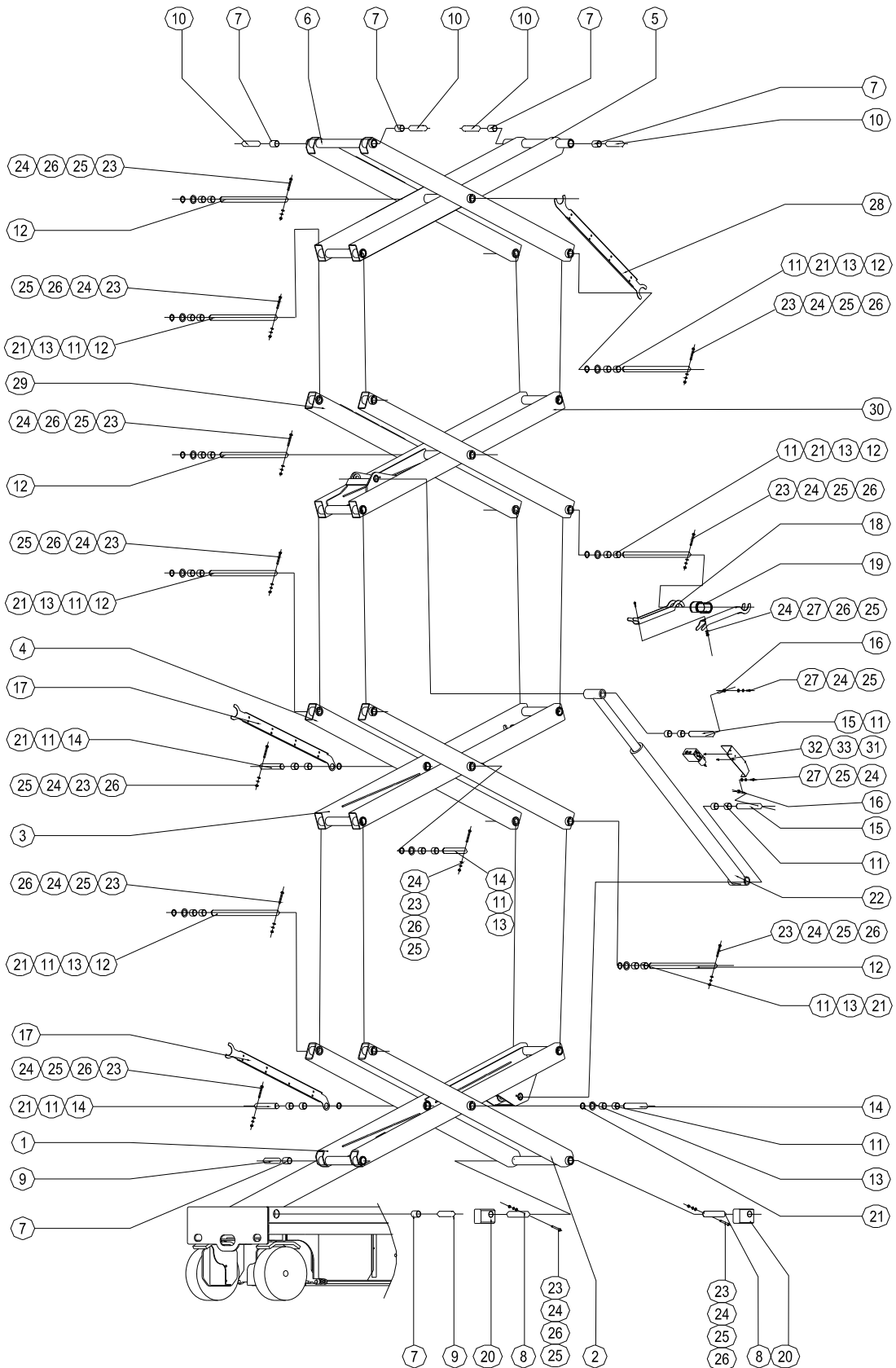
NO.	Parts NO.	Description	QTY.	Remark
1	JCPT1212HD-12001	Gate shaft	2	
2	SF-1-2528-20	Bearing 2528-20	4	
3	WC26SF	Spacer 2644-015	2	
4	GB/T894.1-2000	Circlip25	2	
5	GB818-2000	Screw M5*6	2	Welding
6	GB6170-2000	Nut M5	4	
7	ECU	ECU	1	
14	JCPT1212HD-13003	Oil Filter seat	1	
15	SP-06*10	Oil Filter	1	
16	OT200P14D/R21S2	Oil pump	1	
17	WT-2430/100A	Electric motor	1	
18	GB/T6170-2000	Nut M8	7	
19	GB5783-2000	Bolt M6*16	4	
20	JCPT1212HD-13004	Electric motor seat	1	
21	GB5783-2000	Bolt M8*25	4	
22	GB5783-2000	Bolt M8x25	11	
23	JCPT1212HD-13020	Pump motor controller seat	1	
24	6204-038	Pump motor controller	1	
25	GB5783-2000	Bolt M6x16	4	
26	JCPT1212HD-12002	Lock seat	1	
27	GB/T70.1-2000	Screw M8x30	1	
28	GB97.1-2000	Washer 8	20	
29	GB/T93.1-2000	Washer 8	14	
30	JCPT0630-12012	Lock	1	
31	GB/T93.1-2000	Washer 6	10	
32	GB/T97.1-2000	Washer 6	10	
33	GB/T818-2000	Screw M6X20	6	
34	GB/T6170-2000	Nut M6	4	
35	JCPT1212DC-13100	Oil pump box	1	
38	JCPT1212HD-13300	Oil tank	1	
39	JCPT1212HD-13301	Cover	1	
40	SH-768/DC 24V	Hour meter	1	
45	JCPT1212HD-13220	Valve block	1	
46	GB93-87	Washer 10	2	
47	GB5783-2000	Bolt M10*25	2	
52	DJB-24V	Buzzer	1	
53	DL125G 24V	Horn	1	
54	250A	Fuse	1	
55	FBD-400A/1	Fuse seat	1	
56	JCPT1212HD-13005	Tie starp	1	
57	G3NA-D2120B	Solid-state relay (SSR)	2	
58	QCC26C100A	D. C. contactor	1	
59	GB/T97.1-2002	Washer 3	4	
60	GB/T70.2-2000	Screw M3x8	4	
61	GB/T70.2-2000	Screw M5x10	2	
62	GB/T97.1-2002	Washer 5	2	
63	GB5783-2000	Bolt M4x10	3	
64	GB/T97.1-2002	Washer 4	3	
65	CURT1S1243-4322	Drive motor controller	1	

### 6.1 Scissor Assembly — JCPT0808HD, JCPT0808DC



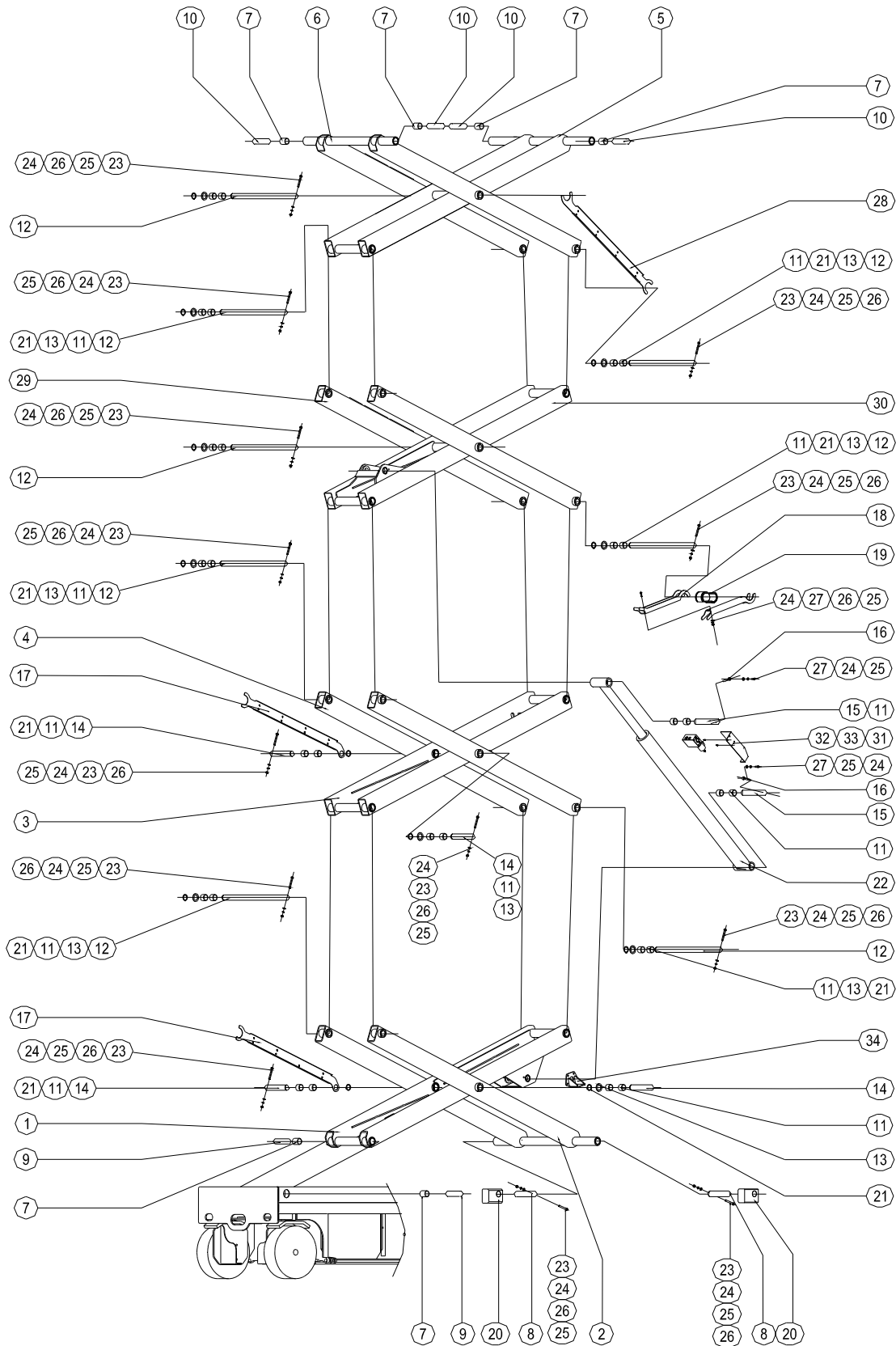
NO.	Parts NO.	Description	Qty.	Remark
1	JCPT1212HD-311100	Inner Arm 1	1	
2	JCPT0808HD-312100	Outer Arm 1	1	
3	JCPT0808HD-313100	Inner Arm 2	1	
4	JCPT1212HD-314100	Outer Arm 2	1	
5	JCPT0808HD-315100	Inner Arm 3	1	
6	JCPT0808HD-316100	Outer Arm 3	1	
7	GM2428-032	Bearing1.75x1.5x2inches	6	
8	JCPT0808HD-310008	Pin	2	
9	JCPT1212HD-310007	Pin	2	
10	JCPT1212HD-310010	Pin	4	
11	GM2428-020	Bearing1.75x1.5x1.25inches	22	
12	JCPT1212HD-310005	Pin	5	
13	JCPT1212HD-310003	Washer	7	
14	JCPT1212HD-310002	Pin	4	
15	JCPT1212HD-310004	Pin	2	
16	JCPT1523RT-12003	Pin	2	
17	JCPT1212HD-310034	Tray Cable 1	2	
18	JCPT1212HD-310021	Safety Arm	2	
19	JCPT1212HD-310022	Safety Arm Spacer	2	
20	JCPT1212HD-310009	Block slide	2	
21	GB894.1-86	Snap Ring D38	9	
22	JCPT1212HD-53100	Lift Cylinder	1	
23	GB/T 5782-2000	Bolt M10x80	10	
24	GB/T 97.1-2002	Washer 10	14	
25	GB/T 93-1987	Washer 10	14	
26	GB/T 6170-2000	Nut M10	11	
27	GB/T 5783-2000	Bolt M8x25	4	
28	DPH-0607B-10	Valve	1	
29	JCPT1212HD-530111	Cover	1	
30	GB70.1-2000	Screw M6x10	2	

### 6.2 Scissor Assembly — JCPT1008HD, JCPT1008DC



NO.	Parts NO.	Description	Qty.	Remark
1	JCPT1212HD-311100	Inner Arm 1	1	
2	JCPT0808HD-312100	Outer Arm 1	1	
3	JCPT0808HD-313100	Inner Arm 2	1	
4	JCPT1212HD-314100	Outer Arm 2	1	
5	JCPT0808HD-315100	Inner Arm 3	1	
6	JCPT0808HD-316100	Outer Arm 3	1	
7	GM2428-032	Bearing1.75x1.5x2inches	6	
8	JCPT0808HD-310008	Pin	2	
9	JCPT1212HD-310007	Pin	2	
10	JCPT1212HD-310010	Pin	4	
11	GM2428-020	Bearing1.75x1.5x1.25inches	28	
12	JCPT1212HD-310005	Pin	8	
13	JCPT1212HD-310003	Washer	10	
14	JCPT1212HD-310002	Pin	4	
15	JCPT1212HD-310004	Pin	2	
16	JCPT1523RT-12003	Pin	2	
17	JCPT1212HD-310034	Tray Cable 1	2	
18	JCPT1212HD-310021	Safety Arm	2	
19	JCPT1212HD-310022	Safety Arm Spacer	2	
20	JCPT1212HD-310009	Block slide	2	
21	GB894.1-86	Snap Ring D38	12	
22	JCPT1212HD-53100	Lift Cylinder	1	
23	GB/T 5782-2000	Bolt M10x80	13	
24	GB/T 97.1-2002	Washer 10	17	
25	GB/T 93-1987	Washer 10	17	
26	GB/T 6170-2000	Nut M10	14	
27	GB/T 5783-2000	Bolt M8x25	4	
28	JCPT1212HD-310036	Tray Cable 2	1	
29	JCPT1008HD-316100	Outer Arm 3	1	
30	JCPT1008HD-315100	Inner Arm 3	1	
31	DPH-0607B-10	Valve	1	
32	JCPT1212HD-530111	Cover	1	
33	GB70.1-2000	Screw M6x10	2	

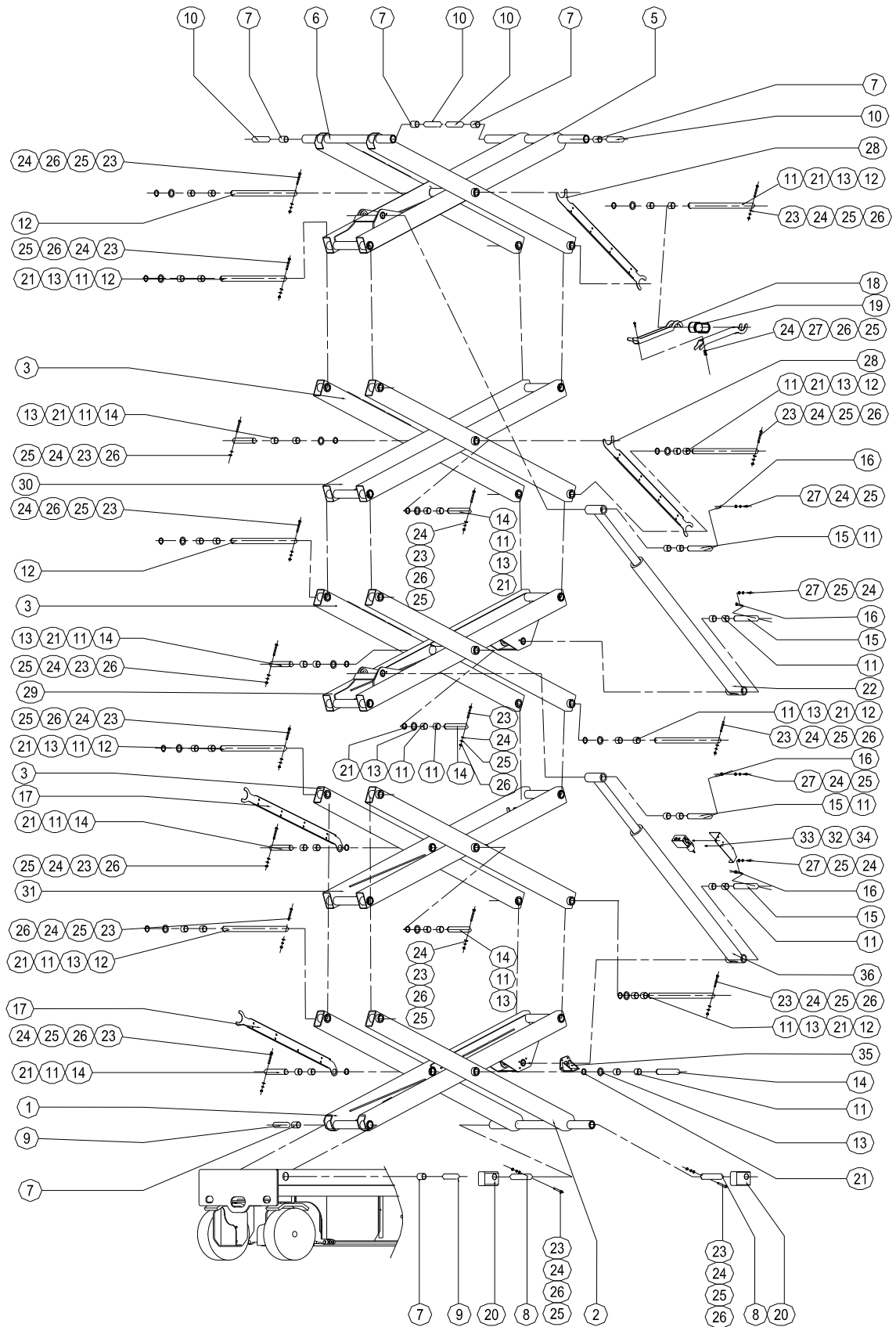
### 6.3 Scissor Assembly — JCPT1012HD, JCPT1012DC



NO.	Parts NO.	Description	Qty.	Remark
1	JCPT1212HD-311100	Inner Arm 1	1	
2	JCPT1212HD-312100	Outer Arm 1	1	
3	JCPT0808HD-313100	Inner Arm	1	
4	JCPT1212HD-314100	Outer Arm	1	
5	JCPT1012HD-317100	Inner Arm 4	1	
6	JCPT1212HD-318100	Outer Arm 5	1	
7	GM2428-032	Bearing1.75x1.5x2inches	6	
8	JCPT1212HD-310008	Pin	2	
9	JCPT1212HD-310007	Pin	2	
10	JCPT1212HD-310010	Pin	4	
11	GM2428-020	Bearing1.75x1.5x1.25inches	28	
12	JCPT1212HD-310005	Pin	8	
13	JCPT1212HD-310003	Washer	10	
14	JCPT1212HD-310002	Pin	4	
15	JCPT1212HD-310004	Pin	2	
16	JCPT1523RT-12003	Pin	2	
17	JCPT1212HD-310034	Tray Cable 1	2	
18	JCPT1212HD-310021	Safety Arm	2	
19	JCPT1212HD-310022	Safety Arm Spacer	2	
20	JCPT1212HD-310009	Block slide	2	
21	GB894.1-86	Snap Ring D38	12	
22	JCPT1212HD-53100	Lift Cylinder	1	
23	GB/T 5782-2000	Bolt M10x80	13	
24	GB/T 97.1-2002	Washer 10	17	
25	GB/T 93-1987	Washer 10	17	
26	GB/T 6170-2000	Nut M10	14	
27	GB/T 5783-2000	Bolt M8x25	4	
28	JCPT1212HD-310036	Tray Cable 2	1	
29	JCPT1008HD-316100	Outer Arm 3	1	
30	JCPT1008HD-315100	Inner Arm 3	1	
31	DPH-0607B-10	Valve	1	
32	JCPT1212HD-530111	Cover	1	
33	GB70.1-2000	Screw M6x10	2	
34	JCPT1212HD-310060	Pothole Protector, Main	2	

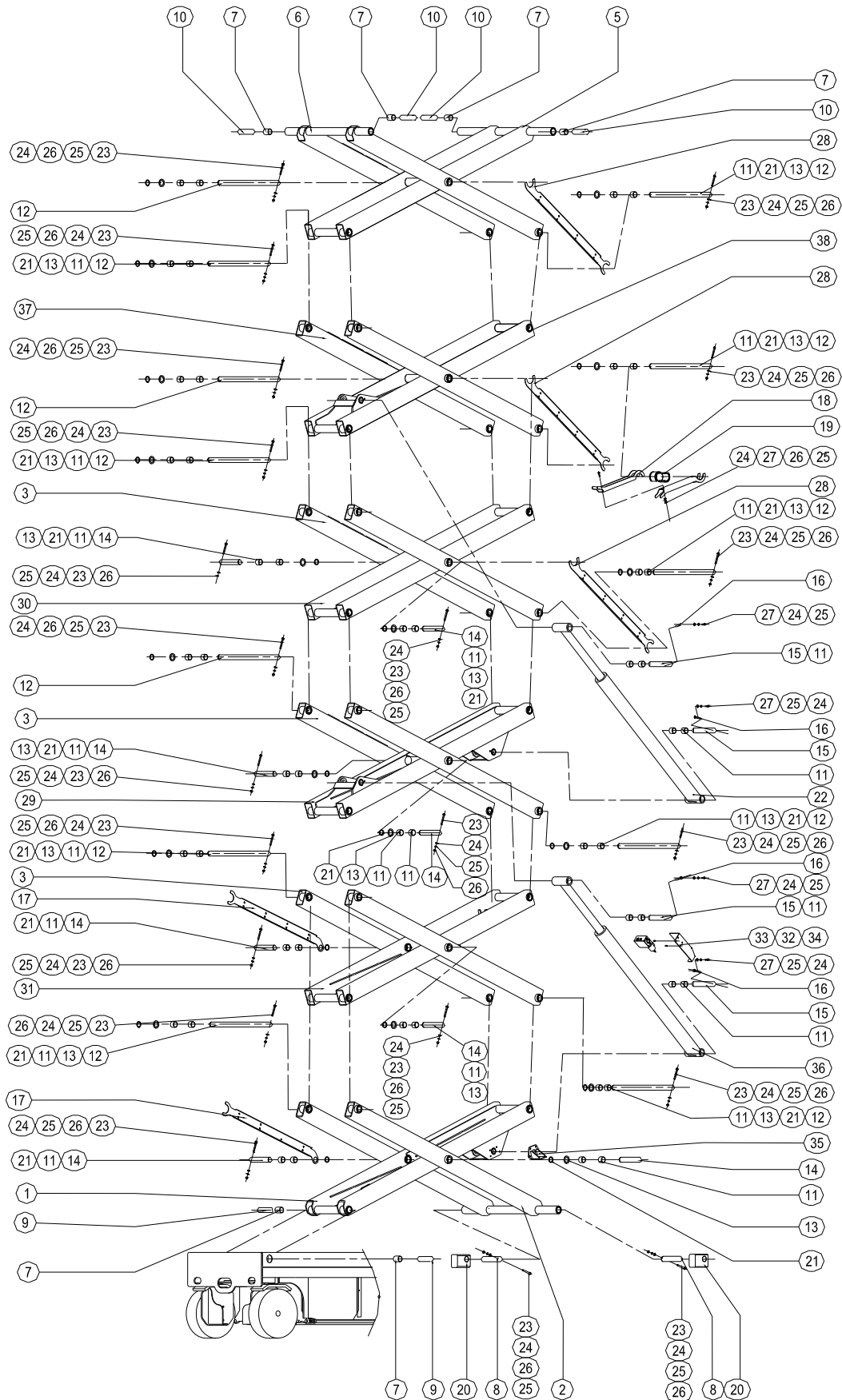


### 6.4 Scissor Assembly — JCPT1212HD, JCPT1212DC



NO.	Parts NO.	Description	Qty.	Remark
1	JCPT1212HD-311100	Inner Arm 1	1	
2	JCPT1212HD-312100	Outer Arm 1	1	
3	JCPT1212HD-314100	Outer Arm	3	
5	JCPT1212HD-319100	Inner Arm 5	1	
6	JCPT1212HD-318100	Outer Arm 5	1	
7	GM2428-032	Bearing1.75x1.5x2inches	6	
8	JCPT1212HD-310008	Pin	2	
9	JCPT1212HD-310007	Pin	2	
10	JCPT1212HD-310010	Pin	4	
11	GM2428-020	Bearing1.75x1.5x1.25inches	42	
12	JCPT1212HD-310005	Pin	9	
13	JCPT1212HD-310003	Washer	15	
14	JCPT1212HD-310002	Pin	6	
15	JCPT1212HD-310004	Pin	4	
16	JCPT1523RT-12003	Pin	4	
17	JCPT1212HD-310034	Tray Cable 1	2	
18	JCPT1212HD-310021	Safety Arm	2	
19	JCPT1212HD-310022	Safety Arm Spacer	2	
20	JCPT1212HD-310009	Block slide	2	
21	GB894.1-86	Snap Ring D38	17	
22	JCPT0808HD-503100	Lift Cylinder	1	
23	GB/T 5782-2000	Bolt M10x80	17	
24	GB/T 97.1-2002	Washer 10	24	
25	GB/T 93-1987	Washer 10	24	
26	GB/T 6170-2000	Nut M10	18	
27	GB/T 5783-2000	Bolt M8x25	6	
28	JCPT1212HD-310036	Tray Cable 2	2	
29	JCPT1212HD-315100	Inner Arm 3	1	
30	JCPT1212HD-317100	Inner Arm 4	1	
31	JCPT1212HD-313100	Inner Arm 2	1	
32	DPH-0607B-10	Valve	1	
33	JCPT1212HD-530111	Cover	1	
34	GB70.1-2000	Screw M6x10	2	
35	JCPT1212HD-310060	Pothole Protector, Main	2	
36	JCPT1212HD-53100	Lift Cylinder	1	

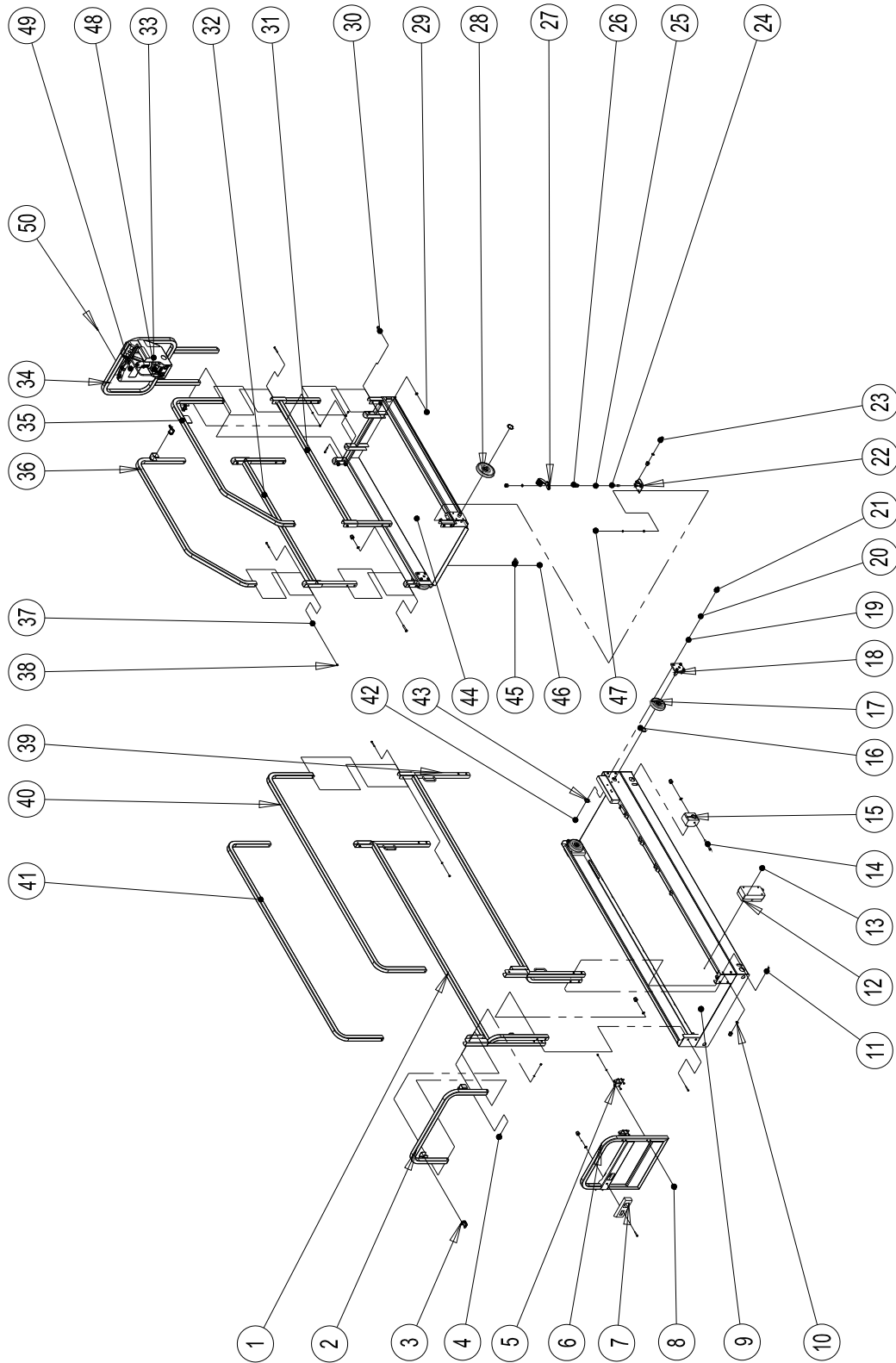
### 6.5 Scissor Assembly — JCPT1412HD, JCPT1412DC



NO.	Parts NO.	Description	Qty.	Remark
1	JCPT1212HD-311100	Inner Arm 1	1	
2	JCPT1212HD-312100	Outer Arm 1	1	
3	JCPT1212HD-314100	Outer Arm	3	
5	JCPT1012HD-317100	Inner Arm 4	1	
6	JCPT1212HD-318100	Outer Arm 5	1	
7	GM2428-032	Bearing1.75x1.5x2inches	6	
8	JCPT1212HD-310008	Pin	2	
9	JCPT1212HD-310007	Pin	2	
10	JCPT1212HD-310010	Pin	4	
11	GM2428-020	Bearing1.75x1.5x1.25inches	48	
12	JCPT1212HD-310005	Pin	10	
13	JCPT1212HD-310003	Washer	18	
14	JCPT1212HD-310002	Pin	8	
15	JCPT1212HD-310004	Pin	4	
16	JCPT1523RT-12003	Pin	4	
17	JCPT1212HD-310034	Tray Cable 1	2	
18	JCPT1212HD-310021	Safety Arm	2	
19	JCPT1212HD-310022	Safety Arm Spacer	3	
20	JCPT1212HD-310009	Block slide	2	
21	GB894.1-86	Snap Ring D38	17	
22	JCPT0808HD-503100	Lift Cylinder	1	
23	GB/T 5782-2000	Bolt M10x80	23	
24	GB/T 97.1-2002	Washer 10	30	
25	GB/T 93-1987	Washer 10	30	
26	GB/T 6170-2000	Nut M10	24	
27	GB/T 5783-2000	Bolt M8x25	6	
28	JCPT1212HD-310036	Tray Cable 2	2	
29	JCPT1212HD-315100	Inner Arm 3	1	
30	JCPT1212HD-317100	Inner Arm 4	1	
31	JCPT1212HD-313100	Inner Arm 2	1	
32	DPH-0607B-10	Valve	1	
33	JCPT1212HD-530111	Cover	1	
34	GB70.1-2000	Screw M6x10	2	
35	JCPT1212HD-310060	Pothole Protector, Main	2	
36	JCPT1212HD-53100	Lift Cylinder	1	
37	JCPT1008HD-316100	Outer Arm 3	1	
38	JCPT1008HD-315100	Inner Arm 3	1	

### 7.1 Platform Components — JCPTXX08HD, JCPTXX08DC

JCPT0808HD, JCPT1008HD, JCPT0808DC, JCPT1008DC

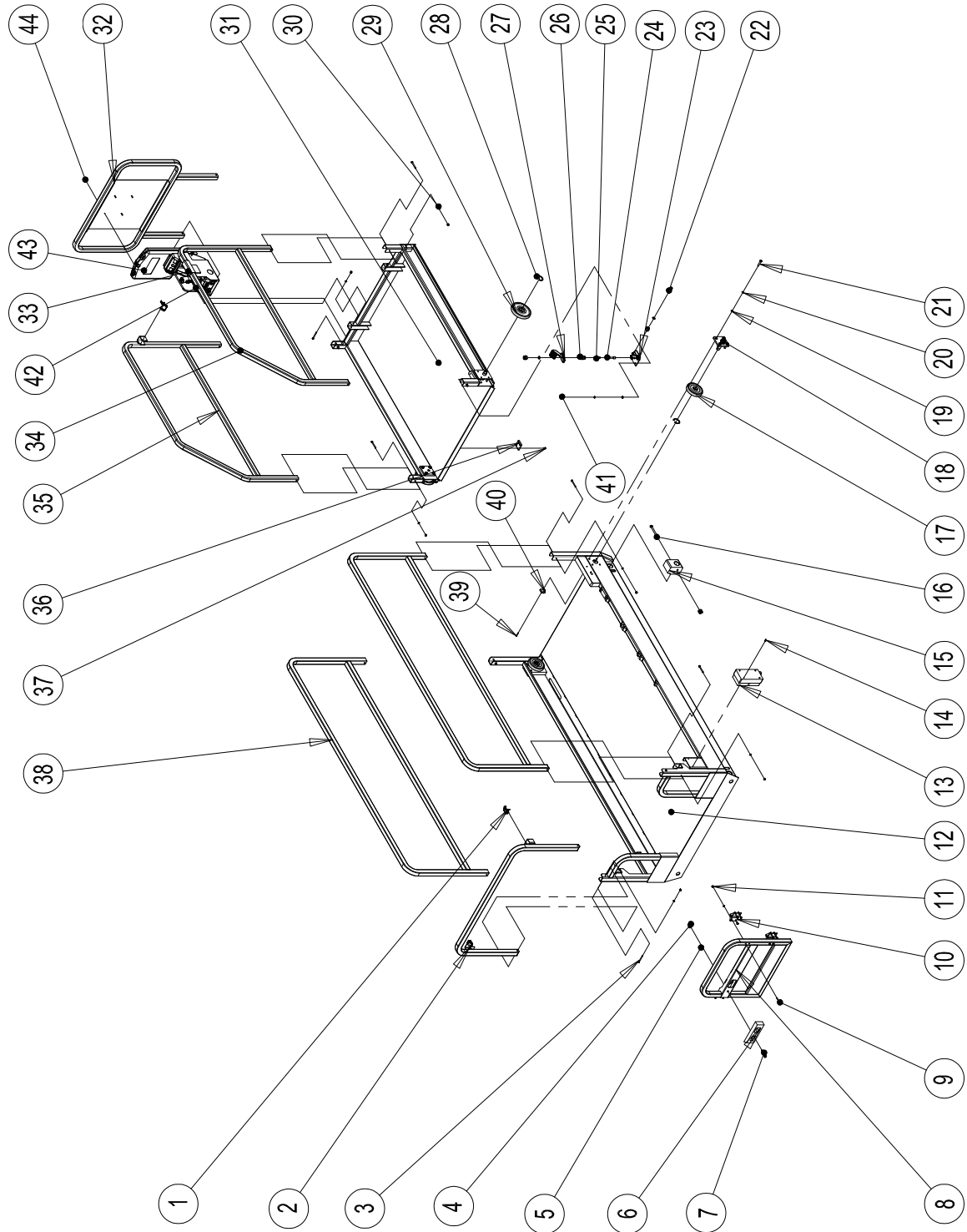


No.	Parts No.	Description	Qty	Remark
1	JCPT0808HD-141820	Rail,Side Options(Left)	1	
2	JCPT0808HD-141700	Rail,End Options	1	
3	JCPT1212HD-41001	Lanyard 6x45	4	
4	GB/T 5782-2000	Bolt M6x50	12	
5	TYHY6957-8020	Hinge 31	2	
6	JCPT0808HD-141610	Door	1	
7	JCPT1212HD-41601	Doorknob	1	
8	GB/T 5782-2000	Bolt M6x50	8	
9	JCPT0808HD-141100	Singe Deck Extension	1	
10	GB/T 97.1-2002	Washer 10	25	
11	GB/T 5782-2000	Bolt M10x50	13	
12	CLS-103	Switch	1	
13	GB/T 818-2000	Bolt M5x12-H	4	
14	GB/T 5780-2000	Bolt M10x100	2	
15	JCPT1212HD-41004	Slippage Of Block	4	
16	GB 893.1-86	Ring 47	4	
17	JCPT1212HD-41018	Trolley	2	
18	JCPT1212HD-41030	Trolley seat	4	
19	GB/T 97.1-2002	Washer 8	18	
20	GB/T 93-1987	Washer 8	18	
21	GB/T 5780-2000	Bolt M8x45	16	
22	JCPT1212HD-41930	Bracket	1	
23	GB / T5780-2000	Bolt M10x45	1	
24	JCPT1212HD-41923	Pin	1	
25	JCPT1212HD-41921	Spring	1	
26	JCPT1212HD-41922	Columella	1	
27	JCPT1212HD-41910	Stance	1	
28	JCPT1212HD-41017	Trolley 2	2	
29	GB/T 6182-2000	Nut M10	25	
30	GB/T 5782-2000	Bolt M10x55	8	
31	JCPT0808HD-141310	Rail,Side Extension (Low)	1	
32	JCPT0808HD-141330	Rail,Side Extension (Low)	1	

No.	Parts No.	Description	Qty	Remark
33	JCPT1212HD-41019	Seat,Controller	1	
34	JCPT0808HD-141340	Rail,End Extension	1	
35	JCPT0808HD-141320	Rail,Side Extension (Right)	1	
36	JCPT0808HD-141350	Rail,Side Extension (Left)	1	
37	GB/T 97.1-2002	Washer 6	20	
38	GB/T 6182-2000	Nut M6	20	
39	JCPT0808HD-141420	Rail,Side Options(Right)	1	
40	JCPT0808HD-141410	Rail,Side Options(High)	1	
41	JCPT0808HD-141810	Rail,Side Options(High)	1	
42	GB/T 70.1-2000	Bolt M4x25	4	
43	JCPT1212HD-41002	Fastener	2	
44	JCPT0808HD-141200	Deck,Extension	1	
45	JCPT1212HD-41206	Slippage Of Crutch	2	
46	GB/T 70.3-2000	Bolt M5x12	8	
47	GB/T 5783-2000	Bolt M8x16	2	
48	AMWP106-44400A	Controller	1	
49	GTBZ16A-43500	Handbook,Box	1	
50	GB/T 70.2-2000	Bolt M5x20	4	

### 7. 2 Platform Components — JCPTXX12HD, JCPTXX12DC

JCPT1012HD, JCPT1212HD, JCPT1412HD, JCPT1012DC, JCPT1212DC, JCPT1412DC





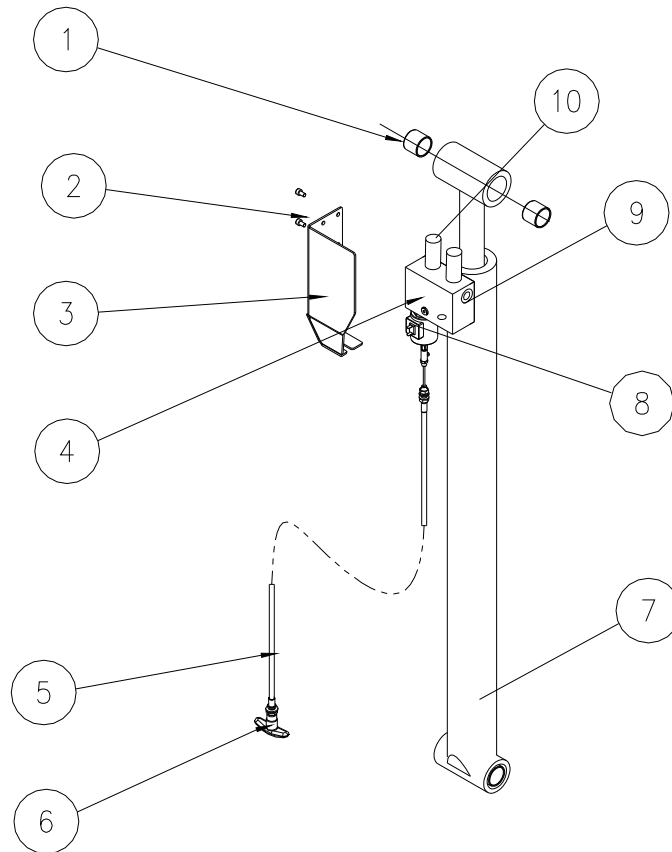
No.	Parts No.	Description	Qty	Remark
1	JCPT1212HD-41001	Lanyard 6x45	4	
2	JCPT1212HD-141700	Rail,End Options	1	
3	GB/T 5782-2000	Bolt M6x60	12	
4	GB/T 6182-2000	Nut M10	5	
5	GB/T 97.1-2002	Washer 10	5	
6	JCPT1212HD-41601	Doorknob	1	
7	GB / T5782-2000	Bolt M10x55	1	
8	JCPT1212HD-141610	Door	1	
9	GB/T 5782-2000	Bolt M6x50	8	
10	TYHY6957-8020	Hinge 31	2	
11	GB/T 6182-2000	Nut M6	20	
12	JCPT1212HD-141100	Singe Deck Extension	1	
13	CLS-103	Switch	1	
14	GB/T 818-2000	Bolt M5x12-H	4	
15	JCPT1212HD-41004	Slippage Of Block	4	
16	GB/T 5780-2000	Bolt M10x100	2	
17	JCPT1212HD-41018	Trolley	2	
18	JCPT1212HD-41030	Trolley seat	4	
19	GB/T 97.1-2002	Washer 8	18	
20	GB/T 93-1987	Washer 8	18	
21	GB/T 5780-2000	Bolt M8x45	16	
22	GB / T5780-2000	Bolt M10x45	1	
23	JCPT1212HD-41930	Bracket	1	
24	JCPT1212HD-41923	Pin	1	
25	JCPT1212HD-41921	Spring	1	
26	JCPT1212HD-41922	Columella	1	
27	JCPT1212HD-41910	Stance	1	
28	GB 893.1-86	Circlip 47	4	
29	JCPT1212HD-41017	Trolley 2	2	
30	GB/T 97.1-2002	Washer 6	20	
31	JCPT1212HD-141200	Deck,Extension	1	
32	JCPT1212HD-141320	Rail,End Extension	1	

No.	Parts No.	Description	Qty	Remark
33	JCPT1212HD-41019	Seat,Controller	1	
34	JCPT1212HD-141330	Rail,Side Extension (Left)	1	
35	JCPT1212HD-141310	Rail,Side Extension (Right)	1	
36	JCPT1212HD-41206	Slippage Of Crutch	2	
37	GB/T 70.3-2000	Bolt M5×12	8	
38	JCPT1212HD-141400	Rail,Side Options	2	
39	GB/T 70.1-2000	Bolt M4×25	4	
40	JCPT1212HD-41002	Fastener	2	
41	GB/T 5783-2000	Bolt M8×16	2	
42	AMWP106-44400A	Controller	1	
43	GTBZ16A-43500	Handbook,Box	1	
44	GB/T 70.2-2000	Bolt M5×20	4	

## 8.1 Hydraulic Cylinder

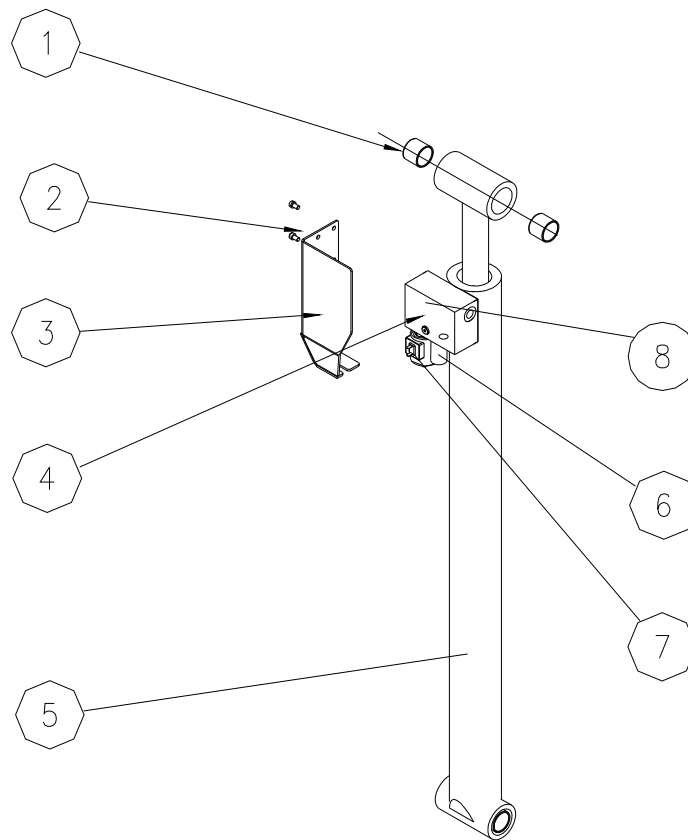
JCPT0808HD, JCPT1008HD, JCPT1012HD, JCPT0808DC, JCPT1008DC,  
JCPT1012DC Lift Cylinder

JCPT1212 HD, JCPT1412 HD, JCPT1212DC, JCPT1412DC Lower Lift Cylinder



NO.	Parts NO.	Description	Qty.	Remark
1	SF-3236-30	Bearing	4	
2	GB/T 70.1-2000	Screw M6x10	2	
3	JCPT1212HD-530112	Cover	1	
4	NBCY-100/B-11	Valve Manifolds	1	Welding
5	5.8M	Wire	1	
6	5X70	Lowering Knob	1	
7	JCPT1212HD-503100	Lift Cylinder	1	
8	SV38-20J	Lowering Valve	1	
9	CV08-20-0-N-4	Throttle Valve	1	
10	HP330-250BG-4V	Pressure Sensor	2	

## JCPT1212 HD, JCPT1412 HD, JCPT1212DC, JCPT1412DC Up Lift Cylinder



NO.	Parts NO.	Description	Qty.	Remark
1	SF-3236-30	Bearing	4	
2	GB/T 70.1-2000	Screw M6x10	2	
3	JCPT1212HD-530111	Cover	1	
4	NBCY-110/C-11	Valve Manifolds	1	Welding
5	JCPT0808HD-503100	Up Lift Cylinder	1	
6	CV08-20-0-N-4	Throttle Valve	1	
7	SV38-20J	Lowering Valve	1	
8	RV08-22H-0-N-35/M180	Pressure Valve	1	